



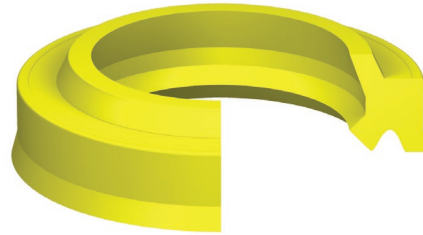
H Style Rod Wiper

A product of MFP Seals.

MFPSEALS

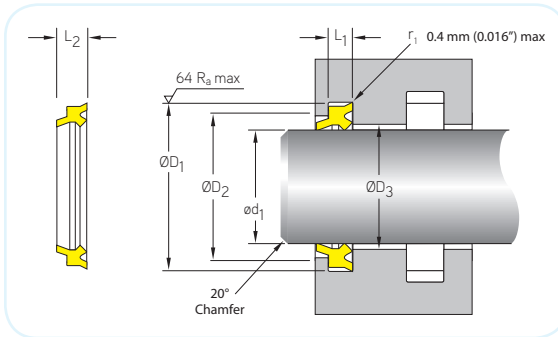
H Style Rod Wiper

MFP Seals' H Style Rod Wipers are a one piece snap-in designed for medium duty cycle applications. MFP Seals' H Style Rod wipers are a standard in industrial cylinders with an AN or BV style U-Cup as rod seals. The H Style Rod Wipers feature a wiper/scrapper lip as well as a secondary U-Cup which serves as a extra safeguard against leakage.



The standard compound for this seal is U2145.
Other compounds are also available.

For compound descriptions and temperature ranges, please refer to page 16.



MFP PART NUMBERS

H-0250U2145
SEAL TYPE ød1 COMPOUND

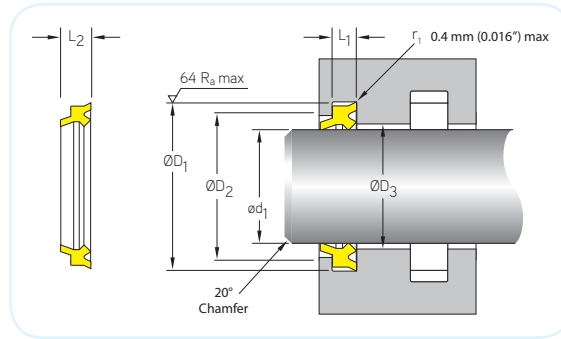
Max. Velocity: 0.5 m/s (1.5 ft./s)
Surface Finish: Ra 0.1 to 0.4 µm (4 to 16 µin.)

H STYLE

ROD WIPERS

MFP PART NUMBER	ROD APPLICATION					
	ød1	ØD1	L1	ØD2	ØD3	L2
TOLERANCE	+0.00/-0.002	+0.02/-0.000	+0.05/-0.000	+0.02/-0.000	+0.02/-0.000	
H-0500	0.500	0.802	0.203	0.620	0.501	0.245
H-0625	0.625	0.927	0.203	0.745	0.626	0.245
H-0750	0.750	1.052	0.203	0.870	0.751	0.245
H-0875	0.875	1.240	0.218	1.010	0.876	0.275
H-1000	1.000	1.365	0.218	1.135	1.001	0.275
H-1125	1.125	1.490	0.218	1.260	1.126	0.275
H-1250	1.250	1.615	0.218	1.385	1.251	0.275
H-1375	1.375	1.740	0.218	1.510	1.376	0.275
H-1500	1.500	1.865	0.218	1.635	1.501	0.275
H-1625	1.625	1.990	0.218	1.760	1.626	0.275
H-1750	1.750	2.115	0.218	1.885	1.751	0.275
H-1875	1.875	2.240	0.218	2.010	1.876	0.275
H-2000	2.000	2.365	0.218	2.135	2.001	0.275
H-2125	2.125	2.490	0.218	2.260	2.126	0.275
H-2250	2.250	2.745	0.281	2.385	2.251	0.351
H-2375	2.375	2.870	0.281	2.510	2.376	0.351
H-2500	2.500	2.995	0.281	2.635	2.501	0.351
H-2625	2.625	3.120	0.281	2.760	2.626	0.351
H-2750	2.750	3.245	0.281	2.885	2.751	0.351
H-3000	3.000	3.495	0.281	3.135	3.001	0.351
H-3250	3.250	3.745	0.281	3.385	3.251	0.351
H-3500	3.500	3.995	0.281	3.635	3.501	0.351
H-3750	3.750	4.245	0.281	3.885	3.751	0.351
H-4000	4.000	4.495	0.281	4.135	4.001	0.351

*For compound descriptions and temperature ranges, please refer to page 16.



MFP PART NUMBER	ROD APPLICATION					
	Ød1	ØD1	L1	ØD2	ØD3	L2
TOLERANCE	+0.00/-0.002	+0.02/-0.000	+0.005/-0.000	+0.002/-0.000	+0.002/-0.000	
H-4250	4.250	4.745	0.281	4.385	4.251	0.351
H-4500	4.500	4.995	0.281	4.635	4.501	0.351
H-4750	4.750	5.245	0.281	4.885	4.751	0.351
H-5000	5.000	5.495	0.281	5.135	5.001	0.351
H-5250	5.250	5.745	0.281	5.385	5.251	0.351
H-5500	5.500	5.995	0.281	5.635	5.501	0.351
H-6000	6.000	6.495	0.281	6.135	6.001	0.351
H-6500	6.500	6.995	0.281	6.635	6.501	0.351
H-7000	7.000	7.495	0.281	7.135	7.001	0.351
H-7500	7.500	7.995	0.281	7.635	7.501	0.351
H-8000	8.000	8.495	0.281	8.135	8.001	0.351
H-8500	8.500	8.995	0.281	8.635	8.501	0.351

H STYLE

ROD WIPERS