

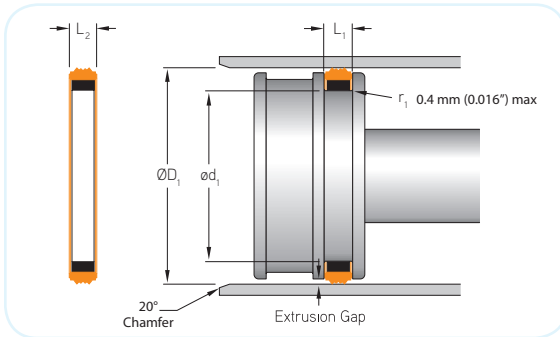


HPX Piston Seal™ - (2 P.C.)

MFP Seals' compact HPX Piston Seal™ is designed to fit AS568 standard o-ring grooves. The HPX seal is composed of a Hytrell® seal with an NBR elastomeric energizer, design for light to medium duty hydraulic applications.



The standard compound for this seal is H2155 / NBR.
Other compounds are available.



MFP PART NUMBERS

HPX-218H2155

SEAL TYPE SIZE PER O-RING DASH COMPOUND

Pressure: 350 bar (5,000 psi) **Max. Velocity:** 1.0 m/s (3 ft./s) **Surface Finish:** Ra 0.1 to 0.4 µm (4 to 16 µin.)

MFP PART NUMBER	FITS STANDARD AS568 O-RING GROOVE		
	ØD1	ød1	L1
TOLERANCE	+0.02/-0.00	+0.00/-0.02	+0.005/-0.000
HPX-218	1.500	1.258	0.187
HPX-222	1.750	1.508	0.187
HPX-326	2.000	1.630	0.281
HPX-330	2.500	2.130	0.281
HPX-334	3.000	2.630	0.281
HPX-338	3.500	3.130	0.281
HPX-342	4.000	3.630	0.281
HPX-350	5.000	4.630	0.281

MFP PART NUMBER	FITS O-RING GROOVE DESIGNED FOR TWO BACK-UP RINGS		
	ØD1	ød1	L1
TOLERANCE	+0.02/-0.00	+0.00/-0.02	+0.005/-0.000
HPX-218-2	1.500	1.258	0.275
HPX-326-2	2.000	1.630	0.410
HPX-330-2	2.500	2.130	0.410
HPX-334-2	3.000	2.630	0.410
HPX-338-2	3.500	3.130	0.410
HPX-342-2	4.000	3.630	0.410
HPX-425-2	5.000	4.528	0.538
HPX-433-2	6.000	5.528	0.538

PISTON ASSEMBLIES

HPX PISTON SEAL™