



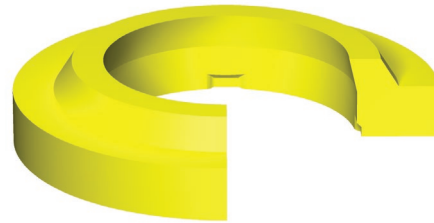
AN Style Rod Wiper

A product of MFP Seals.



AN Rod Wiper

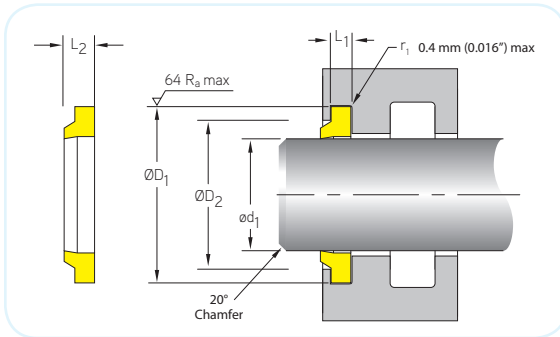
MFP Seals' AN series wipers are light duty snap in wipers that will retrofit into glands prescribed in MS-33675 for corresponding dash numbers of MS-28776. MFPs AN wipers offer a slotted heel to eliminate possibility of pressure traps between the rod seal and wiper.



The standard compound for this seal is U2145. Other compounds are also available.

For compound descriptions and temperature ranges, please refer to page 16.

AN STYLE



MFP PART NUMBERS

AN-01U2145

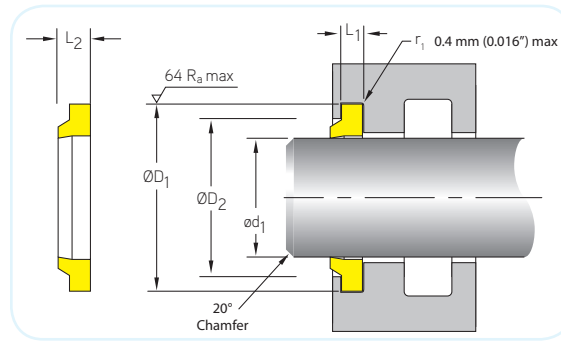
SEAL TYPE DASH # COMPOUND

Max. Velocity: 0.5 m/s (1.5 ft./s)
Surface Finish: Ra 0.1 to 0.4 µm (4 to 16 µin.)

ROD WIPERS

MFP PART NUMBER	ROD APPLICATION				
	ød1	ØD1	L1	ØD2	L2
TOLERANCE	+0.00/-0.002	+0.04/-0.00	+0.003/-0.003	+0.005/-0.00	
AN-01	0.500	0.760	0.107	0.647	0.187
AN-02	0.562	0.823	0.107	0.710	0.187
AN-03	0.625	0.885	0.107	0.772	0.187
AN-04	0.687	0.948	0.107	0.834	0.187
AN-05	0.750	1.010	0.107	0.897	0.187
AN-06	0.812	1.084	0.107	0.960	0.187
AN-07	0.875	1.147	0.107	1.023	0.187
AN-08	0.937	1.211	0.107	1.087	0.187
AN-09	1.000	1.272	0.107	1.148	0.187
AN-10	1.062	1.334	0.107	1.210	0.187
AN-11	1.125	1.397	0.107	1.273	0.187
AN-12	1.187	1.459	0.107	1.335	0.187
AN-13	1.250	1.522	0.107	1.398	0.187
AN-14	1.312	1.614	0.107	1.480	0.187
AN-15	1.375	1.677	0.107	1.542	0.187
AN-16	1.437	1.739	0.107	1.605	0.187
AN-17	1.500	1.802	0.107	1.668	0.187
AN-18	1.625	1.927	0.107	1.793	0.187
AN-19	1.750	2.052	0.107	1.918	0.187
AN-20	1.875	2.177	0.107	2.043	0.187
AN-21	2.000	2.302	0.107	2.178	0.187
AN-22	2.125	2.427	0.107	2.303	0.187
AN-23	2.250	2.552	0.107	2.428	0.187
AN-24	2.375	2.677	0.107	2.553	0.187
AN-25	2.500	2.802	0.107	2.678	0.187
AN-26	2.625	2.989	0.122	2.834	0.211

*For compound descriptions and temperature ranges, please refer to page 16.



MFP PART NUMBER	ROD APPLICATION				
	$\text{ø}d_1$	$\text{Ø}D_1$	L1	$\text{Ø}D_2$	L2
TOLERANCE	+0.00/-0.002	+0.004/-0.000	+0.003/-0.003	+0.005/-0.000	
AN-27	2.750	3.114	0.122	2.959	0.211
AN-28	2.875	3.239	0.122	3.084	0.211
AN-29	3.000	3.364	0.122	3.209	0.211
AN-30	3.125	3.489	0.122	3.334	0.211
AN-31	3.250	3.614	0.122	3.459	0.211
AN-32	3.375	3.739	0.122	3.584	0.211
AN-33	3.500	3.864	0.122	3.709	0.211
AN-34	3.625	3.989	0.122	3.834	0.211
AN-35	3.750	4.114	0.122	3.959	0.211
AN-36	3.875	4.239	0.122	4.084	0.211
AN-37	4.000	4.427	0.138	4.240	0.238
AN-38	4.125	4.552	0.138	4.365	0.238
AN-39	4.250	4.677	0.138	4.490	0.238
AN-40	4.375	4.804	0.138	4.617	0.238
AN-41	4.500	4.927	0.138	4.740	0.238
AN-42	4.625	5.052	0.138	4.865	0.238
AN-43	4.750	5.177	0.138	4.990	0.238
AN-44	4.875	5.304	0.138	5.117	0.238
AN-45	5.000	5.427	0.138	5.240	0.238
AN-46	5.125	5.554	0.138	5.367	0.238
AN-47	5.250	5.677	0.138	5.490	0.238
AN-48	5.375	5.804	0.138	5.617	0.238
AN-49	5.500	5.927	0.138	5.740	0.238
AN-50	5.625	6.116	0.154	5.898	0.264
AN-51	5.750	6.239	0.154	6.022	0.264
AN-52	5.875	6.366	0.154	6.148	0.264
AN-53	6.000	6.489	0.154	6.272	0.264
AN-54	6.250	6.741	0.154	6.524	0.264
AN-55	6.500	6.989	0.154	6.677	0.264
AN-56	6.750	7.239	0.154	7.022	0.264
AN-57	7.000	7.489	0.154	7.272	0.264
AN-58	7.250	7.741	0.154	7.524	0.264
AN-59	7.500	7.989	0.154	7.772	0.264
AN-60	7.750	8.241	0.154	8.024	0.264
AN-61	8.000	8.491	0.154	8.274	0.264
AN-62	8.500	8.989	0.154	8.772	0.264
AN-63	9.000	9.489	0.154	9.272	0.264

AN STYLE

ROD WIPERS