



# Step Cut - (2 PC.) Piston Seal

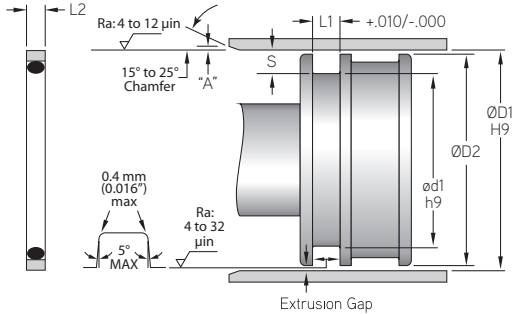
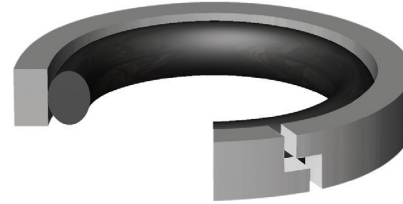
A product of MFP Seals.

**MFPSEALS**  
www.mfpseals.com

SCP

## STEP CUT - (2 PC.) PISTON SEAL

Nylon® Step Cut Piston Rings are double acting seals which are easy to install and work well when travelling over ports. Oval expander included.



Also available with an optional square expander.

### MFP PART NUMBER

**SCP-2000-282M1005/N6001**

SEAL TYPE    ØD1    GLAND HEIGHT    COMPOUND    EXPANDER

Pressure: 690 bar (10,000 psi)

Max. Velocity: 1.0 m/s (3 ft./s)

PISTON ASSEMBLIES

MFP PART NUMBER	PISTON APPLICATION				
	ØD1	ød1	S	L2	L1
<b>TOLERANCE</b>	H9	h9			+.010/-0.000
SCP-2000-282	2.000	1.462	.269	.274	.282
SCP-2250-282	2.250	1.712	.269	.274	.282
SCP-2500-282	2.500	1.962	.269	.274	.282
SCP-2500-312	2.500	1.908	.296	.306	.312
SCP-2750-282	2.750	2.212	.269	.274	.282
SCP-3000-282	3.000	2.442	.279	.274	.282
SCP-3000-312	3.000	2.408	.296	.306	.312
SCP-3250-282	3.250	2.692	.279	.274	.282
SCP-3500-282	3.500	2.942	.279	.274	.282
SCP-3500-312	3.500	2.908	.296	.306	.312
SCP-3750-282	3.750	3.192	.279	.274	.282
SCP-4000-282	4.000	3.442	.279	.274	.282
SCP-4000-312	4.000	3.408	.296	.306	.312
SCP-4250-282	4.250	3.692	.279	.274	.282
SCP-4500-282	4.500	3.942	.279	.274	.282
SCP-4500-312	4.500	3.908	.296	.306	.312
SCP-4500-377	4.500	3.740	.380	.370	.377
SCP-4750-282	4.750	4.192	.279	.274	.282
SCP-5000-282	5.000	4.442	.279	.274	.282
SCP-5000-377	5.000	4.240	.380	.370	.377
SCP-5250-377	5.250	4.490	.380	.370	.377
SCP-5500-377	5.500	4.740	.380	.370	.377
SCP-6000-377	6.000	5.240	.380	.370	.377
SCP-6500-377	6.500	5.740	.380	.370	.377
SCP-7000-377	7.000	6.240	.380	.370	.377
SCP-7500-377	7.500	6.740	.380	.370	.377
SCP-8000-377	8.000	7.240	.380	.370	.377
SCP-8500-377	8.500	7.740	.380	.370	.377
SCP-9000-377	9.000	8.124	.438	.370	.377
SCP-9500-377	9.500	8.624	.438	.370	.377
SCP-10000-377	10.000	9.124	.438	.370	.377
SCP-12000-377	12.000	11.124	.438	.370	.377