



GT Ring - (3 PC.) Rod Seal

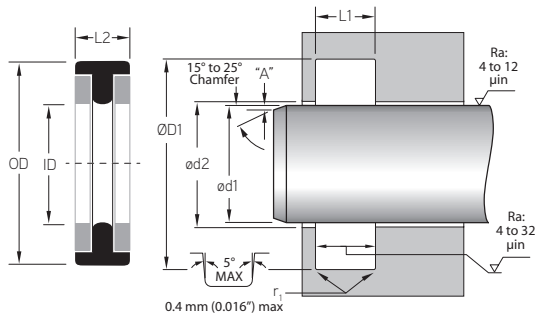
A product of MFP Seals.

MFPSEALS
www.mfpseals.com

GTR

GT RING - (3 PC.) ROD SEAL

GT Rings are an excellent direct replacement for O-Rings and X-Rings. GT Rings help eliminate rolling or spiraling in long stroke or dry rod conditions. Designed for installation in standard commercial O-Ring grooves, GT-Rings are also available for grooves cut for one or two backup rings. Each GT-Ring consists of the T-shaped rubber sealing ring and the two anti-extrusion rings.



MFP PART NUMBER

GTR-037N6001

SEAL TYPE SIZE COMPOUND

GTR-037N6001-1

SEAL TYPE SIZE COMPOUND 1 BU-Ring

GTR-037N6001-2

SEAL TYPE SIZE COMPOUND 2 BU-Rings

Seal - N6001

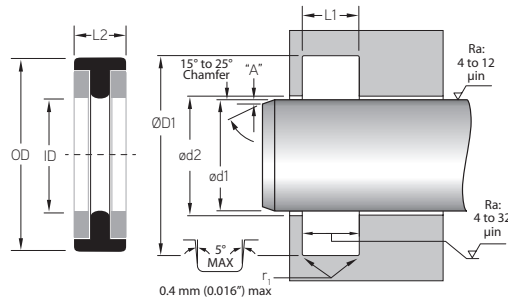
Anti-Extrusion Rings - M1001

Pressure: 700 bar (10,000 psi)

Max. Velocity: 0.5 m/s (1.5 ft/s)

ROD ASSEMBLIES

MFP PART NUMBER	ROD APPLICATION						
	ød1	ØD1	ød2	GROOVE WIDTH			OR SIZE
				NO BACKUP	1 BACKUP	2 BACKUP	
TOLERANCE	h9	H9	H9	+0.005/-0.000	+0.005/-0.000	+0.005/-0.000	
GTR-037	0.375	0.617	0.378	0.188	0.235	0.304	204
GTR-050	0.500	0.742	0.503	0.188	0.235	0.304	206
GTR-056	0.562	0.804	0.565	0.188	0.235	0.304	207
GTR-062	0.625	0.867	0.628	0.188	0.235	0.304	208
GTR-068	0.687	0.929	0.690	0.188	0.235	0.304	209
GTR-075	0.750	0.992	0.753	0.188	0.235	0.304	210
GTR-087	0.875	1.117	0.878	0.188	0.235	0.304	212
GTR-100	1.000	1.242	1.003	0.188	0.235	0.304	214
GTR-106	1.062	1.304	1.065	0.188	0.235	0.304	215
GTR-112	1.125	1.367	1.128	0.188	0.235	0.304	216
GTR-118	1.187	1.429	1.190	0.188	0.235	0.304	217
GTR-125	1.250	1.492	1.253	0.188	0.235	0.304	218
GTR-137	1.375	1.617	1.378	0.188	0.235	0.304	220
GTR-143	1.437	1.679	1.440	0.188	0.235	0.304	221
GTR-150	1.500	1.742	1.503	0.188	0.235	0.304	222
GTR-151	1.500	1.870	1.503	0.281	0.344	0.424	325
GTR-162	1.625	1.995	1.628	0.281	0.344	0.424	326
GTR-175	1.750	2.120	1.753	0.281	0.344	0.424	327
GTR-187	1.875	2.245	1.878	0.281	0.344	0.424	328



GTR

MFP PART NUMBER	ROD APPLICATION						
	Ød1	ØD1	ød2	GROOVE WIDTH			OR SIZE
				NO BACKUP	1 BACKUP	2 BACKUP	
TOLERANCE	h9	H9	H9	+0.005/-0.000	+0.005/-0.000	+0.005/-0.000	
GTR-200	2.000	2.370	2.003	0.281	0.344	0.424	329
GTR-212	2.125	2.495	2.128	0.281	0.344	0.424	330
GTR-225	2.250	2.620	2.253	0.281	0.344	0.424	331
GTR-237	2.375	2.745	2.378	0.281	0.344	0.424	332
GTR-250	2.500	2.870	2.503	0.281	0.344	0.424	333
GTR-262	2.625	2.995	2.628	0.281	0.344	0.424	334
GTR-275	2.750	3.120	2.753	0.281	0.344	0.424	335
GTR-287	2.875	3.245	2.878	0.281	0.344	0.424	336
GTR-300	3.000	3.370	3.003	0.281	0.344	0.424	337
GTR-312	3.125	3.495	3.128	0.281	0.344	0.424	338
GTR-325	3.250	3.620	3.253	0.281	0.344	0.424	339
GTR-337	3.375	3.745	3.378	0.281	0.344	0.424	340
GTR-350	3.500	3.870	3.503	0.281	0.344	0.424	341
GTR-362	3.625	3.995	3.628	0.281	0.344	0.424	342
GTR-375	3.750	4.120	3.753	0.281	0.344	0.424	343
GTR-387	3.875	4.245	3.878	0.281	0.344	0.424	344
GTR-400	4.000	4.370	4.003	0.281	0.344	0.424	345
GTR-425	4.250	4.620	4.253	0.281	0.344	0.424	347
GTR-437	4.375	4.745	4.378	0.281	0.344	0.424	348
GTR-450	4.500	4.870	4.503	0.281	0.344	0.424	349
GTR-500	5.000	5.474	5.004	0.375	0.475	0.579	429
GTR-525	5.250	5.724	5.254	0.375	0.475	0.579	431
GTR-550	5.500	5.974	5.504	0.375	0.475	0.579	433
GTR-600	6.000	6.474	6.004	0.375	0.475	0.579	437
GTR-750	7.500	7.974	7.504	0.375	0.475	0.579	443
GTR-800	8.000	8.474	8.004	0.375	0.475	0.579	445
GTR-900	9.000	9.474	9.004	0.375	0.475	0.579	447

ROD ASSEMBLIES