



RTL - Asymmetrical Rod Seal U-Cup

A product of MFP Seals.

MFPSEALS
www.mfpseals.com

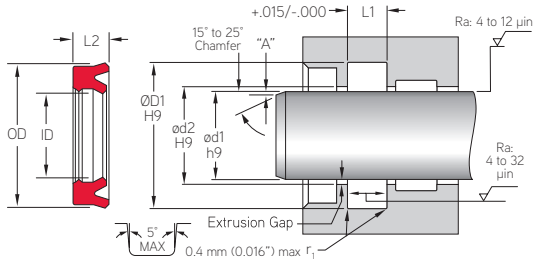
RTL

RTL ASYMMETRICAL ROD SEAL U-CUP

MFP Seals' RTL Rod Seal U-Cup is an asymmetrical design cup seal for use in hydraulic applications. The twin lip design offers increased seal stability while the knife-trimmed primary lip provides superior sealing ability. The design was enhanced using finite element analysis giving you the best product on the market. Produced from our U2151 compound, the seal offers extremely low compression set and excellent extrusion resistance.



The standard compound for this seal is U2151.
It is also available in compounds U2150, U4150, and H2155.



MFP PART NUMBER

RTL-125-00.625-187U2151

SEAL TYPE C/S ød1 L2 COMPOUND

Pressure: 400 bar (5,800 psi)

Max. Velocity: 0.5 m/s (< 1.6 ft./s)

MAXIMUM EXTRUSION GAP RECOMMENDATION

MFP SERIES	ROD DIAMETER	GROOVE DIAMETER	GROOVE WIDTH	RADIAL CLEARANCE EXTRUSION GAP		
	ød1 h9	ØD1 H9	L1 +.015	2300psi	3600psi	5800psi
RTL-125	0.500 - 1.500	ød1 + .250	.206 - .275	0.008	0.004	-
RTL-156	0.187 - 1.375	ød1 + .312	0.24	0.011	0.006	-
RTL-187	1.000 - 4.000	ød1 + .375	.206 - .413	0.014	0.008	-
RTL-218	2.500 - 3.000	ød1 + .437	0.312	0.016	0.009	0.002
RTL-250	1.250 - 5.500	ød1 + .500	.275 - .618	0.018	0.010	0.004
RTL-312	3.000 - 5.500	ød1 + .625	.343 - .688	0.020	0.012	0.006
RTL-375	4.000 - 8.000	ød1 + .750	.550 - .688	0.020	0.012	0.006

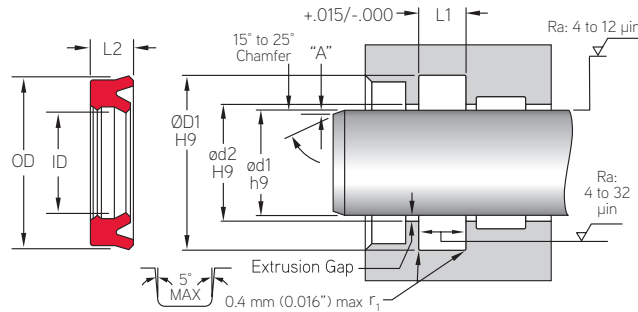
NOTE: The above data are maximum values for extrusion gap.

Material type, pressure, temperature, speed and extrusion gap will affect extrusion resistance.

Maximum values, pressure, speed, temperature and extrusion gap should not be applied continuously nor simultaneously.

MFP PART NUMBER	ROD APPLICATION				
	ød1	ød2	ØD1	L2	L1
.125" CROSS SECTION	h9	H9	H9		+.015/-0.000
RTL-125-00.500-187	0.500	0.501	0.750	0.187	0.206
RTL-125-00.625-187	0.625	0.626	0.875	0.187	0.206
RTL-125-00.625-250	0.625	0.626	0.875	0.250	0.275
RTL-125-00.750-125	0.750	0.751	1.000	0.125	0.275
RTL-125-00.750-250	0.750	0.751	1.000	0.250	0.275
RTL-125-00.875-250	0.875	0.876	1.125	0.250	0.275
RTL-125-01.000-250	1.000	1.001	1.250	0.250	0.275
RTL-125-01.125-250	1.125	1.126	1.375	0.250	0.275

U-CUP ASYMMETRICAL ROD SEALS



ROD APPLICATION

MFP PART NUMBER	$\varnothing d1$	$\varnothing d2$	$\varnothing D1$	L2	L1
.125" CROSS SECTION	h9	H9	H9		+0.015/-0.000
RTL-125-01.250-250	1.250	1.251	1.500	0.250	0.275
RTL-125-01.375-250	1.375	1.376	1.625	0.250	0.275
RTL-125-01.500-250	1.500	1.501	1.750	0.250	0.275
.156" CROSS SECTION	h9	H9	H9		+0.015/-0.000
RTL-156.01.000-219	1.000	1.001	1.312	0.218	0.240
RTL-156.01.375-219	1.375	1.376	1.687	0.218	0.240
.187" CROSS SECTION	h9	H9	H9		+0.015/-0.000
RTL-187-00.187-312	0.187	0.188	0.562	0.312	0.343
RTL-187-01.000-187	1.000	1.001	1.375	0.187	0.206
RTL-187-01.000-312	1.000	1.001	1.375	0.312	0.343
RTL-187-01.125-312	1.125	1.126	1.500	0.312	0.343
RTL-187-01.250-187	1.250	1.251	1.625	0.187	0.206
RTL-187-01.250-250	1.250	1.251	1.625	0.250	0.275
RTL-187-01.250-312	1.250	1.251	1.625	0.312	0.343
RTL-187-01.250-375	1.250	1.251	1.625	0.375	0.413
RTL-187-01.312-312	1.312	1.313	1.687	0.312	0.343
RTL-187-01.375-187	1.375	1.376	1.750	0.187	0.206
RTL-187-01.375-312	1.375	1.376	1.750	0.312	0.343
RTL-187-01.500-250	1.500	1.501	1.875	0.250	0.275
RTL-187-01.500-312	1.500	1.501	1.875	0.312	0.343
RTL-187-01.500-375	1.500	1.501	1.875	0.375	0.413
RTL-187-01.625-312	1.625	1.626	2.000	0.312	0.343
RTL-187-01.750-250	1.750	1.751	2.125	0.250	0.275
RTL-187-01.750-312	1.750	1.751	2.125	0.312	0.343
RTL-187-01.750-375	1.750	1.751	2.125	0.375	0.413
RTL-187-02.000-250	2.000	2.001	2.375	0.250	0.275
RTL-187-02.000-312	2.000	2.001	2.375	0.312	0.343
RTL-187-02.000-375	2.000	2.001	2.375	0.375	0.413
RTL-187-02.125-312	2.125	2.126	2.500	0.312	0.343
RTL-187-02.250-335	2.250	2.251	2.625	0.250	0.275
RTL-187-02.250-375	2.250	2.251	2.625	0.375	0.413
RTL-187-02.500-375	2.500	2.501	2.875	0.375	0.413
RTL-187-02.625-312	2.625	2.626	3.000	0.312	0.343
RTL-187-02.625-375	2.625	2.626	3.000	0.375	0.413
RTL-187-02.750-312	2.750	2.751	3.125	0.312	0.343
RTL-187-02.750-375	2.750	2.751	3.125	0.375	0.413
RTL-187-03.000-375	3.000	3.001	3.375	0.375	0.413
RTL-187-03.375-312	3.375	3.376	3.750	0.312	0.343
RTL-187-03.500-375	3.500	3.501	3.875	0.375	0.413

U-CUP ASYMMETRICAL ROD SEALS

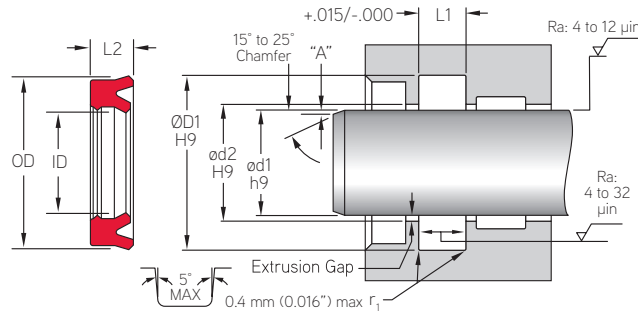
RTL



RTL - Asymmetrical Rod Seal U-Cup

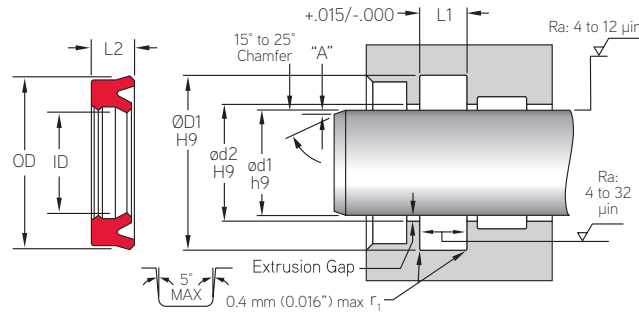
A product of MFP Seals.

MFPSEALS
www.mfpseals.com



U-CUP ASYMMETRICAL ROD SEALS

MFP PART NUMBER	ROD APPLICATION				
	ød1	ød2	ØD1	L2	L1
.218" CROSS SECTION	h9	H9	H9		+0.015/-0.000
RTL-187-04.000-375	4.000	4.001	4.375	0.375	0.413
RTL-218-02.500-281	2.500	2.501	2.937	0.281	0.312
RTL-218-03.000-281	3.000	3.001	3.437	0.281	0.312
.250" CROSS SECTION	h9	H9	H9		+0.015/-0.000
RTL-250-01.250-375	1.250	1.251	1.750	0.375	0.413
RTL-250-01.375-375	1.375	1.376	1.875	0.375	0.413
RTL-250-01.500-250	1.500	1.501	2.000	0.250	0.275
RTL-250-01.500-375	1.500	1.501	2.000	0.375	0.413
RTL-250-01.750-250	1.750	1.751	2.250	0.250	0.275
RTL-250-01.750-375	1.750	1.751	2.250	0.375	0.413
RTL-250-01.875-375	1.875	1.876	2.375	0.375	0.413
RTL-250-02.000-250	2.000	2.001	2.500	0.250	0.275
RTL-250-02.000-375	2.000	2.001	2.500	0.375	0.413
RTL-250-02.250-375	2.250	2.251	2.750	0.375	0.413
RTL-250-02.375-375	2.375	2.376	2.875	0.375	0.413
RTL-250-02.500-375	2.500	2.501	3.000	0.375	0.413
RTL-250-02.750-375	2.750	2.751	3.250	0.375	0.413
RTL-250-03.000-375	3.000	3.001	3.500	0.375	0.413
RTL-250-03.375-375	3.375	3.376	3.875	0.375	0.413
RTL-250-03.500-312	3.500	3.501	4.000	0.312	0.343
RTL-250-03.500-375	3.500	3.501	4.000	0.375	0.413
RTL-250-04.000-330	4.000	4.001	4.500	0.330	0.362
RTL-250-04.000-375	4.000	4.001	4.500	0.375	0.413
RTL-250-04.500-375	4.500	4.501	5.000	0.375	0.413
RTL-250-04.500-562	4.500	4.501	5.000	0.562	0.618
RTL-250-04.750-562	4.750	4.751	5.250	0.562	0.618
RTL-250-05.000-375	5.000	5.001	5.500	0.375	0.413
RTL-250-05.000-562	5.000	5.001	5.500	0.562	0.618
RTL-250-05.500-375	5.500	5.501	6.000	0.375	0.413
RTL-250-05.500-562	5.500	5.501	6.000	0.562	0.618
.312" CROSS SECTION	h9	H9	H9		+0.015/-0.000
RTL-312-03.000-500	3.000	3.001	3.625	0.500	0.550
RTL-312-03.500-500	3.500	3.501	4.125	0.500	0.550
RTL-312-04.000-375	4.000	4.001	4.625	0.375	0.413
RTL-312-04.000-500	4.000	4.001	4.625	0.500	0.550
RTL-312-04.500-625	4.500	4.501	5.125	0.625	0.688
RTL-312-05.250-625	5.250	5.251	5.875	0.625	0.688
RTL-312-05.500-312	5.500	5.501	6.125	0.312	0.343



MFP PART NUMBER	ROD APPLICATION				
	ød1	ød2	ØD1	L2	L1
.375" CROSS SECTION	h9	H9	H9		+0.015/-0.000
RTL-375-04.000-625	4.000	4.001	4.750	0.625	0.688
RTL-375-04.500-625	4.500	4.501	5.250	0.625	0.688
RTL-375-05.000-500	5.000	5.001	5.750	0.500	0.550
RTL-375-05.000-625	5.000	5.001	5.750	0.625	0.688
RTL-375-05.500-625	5.500	5.501	6.250	0.625	0.688
RTL-375-06.000-625	6.000	6.001	6.750	0.625	0.688
RTL-375-07.000-625	7.000	7.001	7.750	0.625	0.688
RTL-375-08.000-625	8.000	8.001	8.625	0.625	0.688

RTL

U-CUP ASYMMETRICAL ROD SEALS