



X-PAC® Loaded B-Lip - Symmetrical U-Cup

A product of MFP Seals.

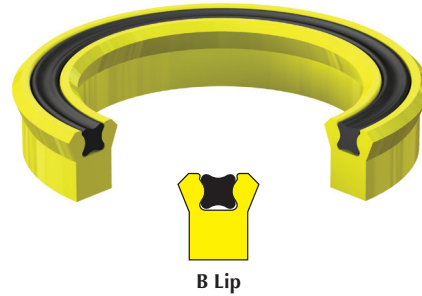
MFPSEALS®
www.mfpseals.com

XP - X-PAC® B-LIP

XP - X-PAC® LOADED B-LIP SYMMETRICAL U-CUP

X-PAC® U-Cups are a very versatile reciprocating seal design, for use up to 350 bar (5,000 psi). The rubber expander creates a compression style seal while still operating as a pressure actuated U-Cup design. The result is better low-pressure sealing and less startup leakage. The primary function of a B-Lip X-PAC® is for linear rod applications. However, they can also be used for piston applications when straight lip tooling is not available. MFP Seals' X-PAC® U-Cups feature a knife trimmed sealing lip for increased sealability.

*This seal is available in the following compounds:
U2145, U2150, U2151, U2162, U4150, H2155,
V7675, N6021, N6023, N6034, with an
Expander in N6014, V7100 or V7155.*



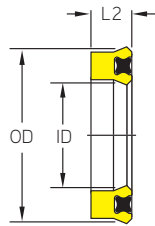
MFP PART NUMBER

XP-125-00.375-125BU2145

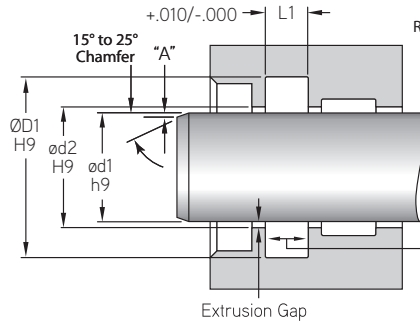
SEAL TYPE	Ød1	L2	COMPOUND
CROSS SECTION		PROFILE STYLE	

PROFILE STYLE CODES: B = B Lip, No Code for Straight Lip (Standard)

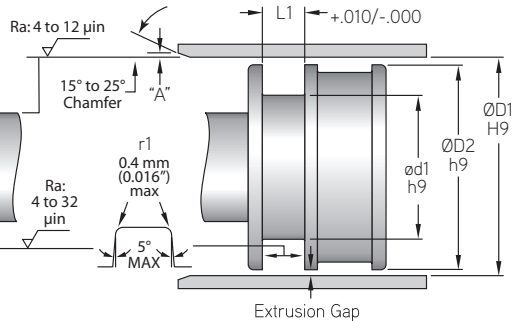
PROFILE



ROD APPLICATION



PISTON APPLICATION



Pressure: 350 bar (5,000 psi)

Max. Velocity: 0.5 m/s (< 1.6 ft./s)

MAXIMUM EXTRUSION GAP RECOMMENDATION

MFP SERIES	ROD DIAMETER	GROOVE DIAMETER	GROOVE WIDTH	RADIAL CLEARANCE EXTRUSION GAP		
	Ød1 h9	ØD1 H9	L1 +.010	2300psi	3600psi	5800psi
XP-125	.750 - 2.750	Ød1 + .250	.138 - .413	0.008	0.004	-
XP-156	1.375	Ød1 + .312	.172	0.014	0.008	-
XP-187	0.625 - 3.750	Ød1 + .375	.207 - .413	0.014	0.008	-
XP-250	0.500 - 6.500	Ød1 + .500	.275 - .825	0.018	0.010	0.004
XP-312	0.875 - 5.500	Ød1 + .624	.344 - .963	0.020	0.012	0.006
XP-375	1.250 - 8.750	Ød1 + .750	.413 - .688	0.020	0.012	0.006
XP-500	2.750 - 3.000	Ød1 + 1.000	.825	0.024	0.012	0.008

NOTE: The above data are maximum values for extrusion gap.

Material type, pressure, temperature, speed and extrusion gap will affect extrusion resistance.

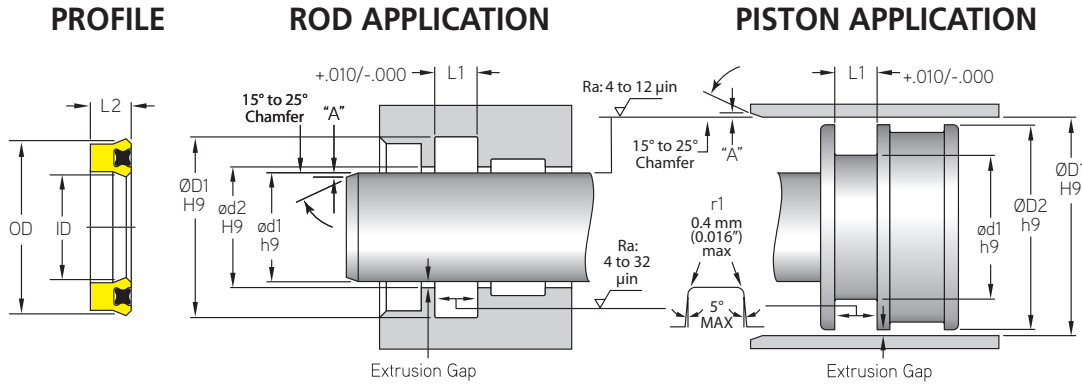
Maximum values, pressure, speed, temperature and extrusion gap should not be applied continuously nor simultaneously.

PARTS LIST BEGINS ON NEXT PAGE >

U-CUP SYMMETRICAL



XP - X-PAC® B-LIP



MFP PART NUMBER	NOMINAL SIZE			ACTUAL SIZE - ROD OR PISTON APPLICATION					
	ød1	ød2	ØD1	ød1	ød2	ØD1	ØD2	L2	L1
.125" - C/S				h9	H9	H9	h9		+0.010/-0.000
XP-125-00.125-125B	1/8	3/8	1/8	0.125	0.126	0.375	0.374	0.125	0.138
XP-125-00.125-250B	1/8	3/8	1/4	0.125	0.126	0.375	0.374	0.250	0.275
XP-125-00.187-125B	3/16	7/16	1/8	0.187	0.188	0.437	0.436	0.125	0.138
XP-125-00.187-250B	3/16	7/16	1/4	0.187	0.188	0.437	0.436	0.250	0.275
XP-125-00.250-125B	1/4	1/2	1/8	0.250	0.251	0.500	0.499	0.125	0.138
XP-125-00.250-250B	1/4	1/2	1/4	0.250	0.251	0.500	0.499	0.250	0.275
XP-125-00.282-250B	9/32	17/32	1/4	0.282	0.283	0.532	0.531	0.250	0.275
XP-125-00.312-125B	5/16	9/16	1/8	0.312	0.313	0.562	0.531	0.125	0.138
XP-125-00.312-250B	5/16	9/16	1/4	0.312	0.313	0.562	0.561	0.250	0.275
XP-125-00.375-125B	3/8	5/8	1/8	0.375	0.376	0.625	0.561	0.125	0.138
XP-125-00.375-250B	3/8	5/8	1/4	0.375	0.376	0.625	0.624	0.250	0.275
XP-125-00.437-125B	7/16	11/16	1/8	0.437	0.438	0.687	0.686	0.125	0.138
XP-125-00.437-250B	7/16	11/16	1/4	0.437	0.438	0.687	0.686	0.250	0.275
XP-125-00.437-375B	7/16	11/16	3/8	0.437	0.438	0.687	0.686	0.375	0.413
XP-125-00.500-125B	1/2	3/4	1/8	0.500	0.501	0.750	0.749	0.125	0.138
XP-125-00.500-175B	1/2	3/4	0.175	0.500	0.501	0.750	0.749	0.175	0.193
XP-125-00.500-250B	1/2	3/4	1/4	0.500	0.501	0.750	0.749	0.250	0.275
XP-125-00.562-125B	9/16	13/16	1/8	0.562	0.563	0.812	0.811	0.125	0.138
XP-125-00.562-250B	9/16	13/16	1/4	0.562	0.563	0.812	0.811	0.250	0.275
XP-125-00.625-125B	5/8	7/8	1/8	0.625	0.626	0.875	0.874	0.125	0.138
XP-125-00.625-178B	5/8	7/8	3/16	0.625	0.626	0.875	0.874	0.178	0.196
XP-125-00.625-250B	5/8	7/8	1/4	0.625	0.626	0.875	0.874	0.250	0.275
XP-125-00.687-125B	11/16	15/16	1/8	0.687	0.688	0.937	0.936	0.125	0.138
XP-125-00.687-250B	11/16	15/16	1/4	0.687	0.688	0.937	0.936	0.250	0.275
XP-125-00.750-125B	3/4	1	1/8	0.750	0.751	1.000	0.999	0.125	0.138
XP-125-00.750-178B	3/4	1	0.178	0.750	0.751	1.000	0.999	0.178	0.196
XP-125-00.750-187B	3/4	1	3/16	0.750	0.751	1.000	0.999	0.187	0.207
XP-125-00.750-250B	3/4	1	1/4	0.750	0.751	1.000	0.999	0.250	0.275
XP-125-00.812-125B	13/16	1-1/16	1/8	0.812	0.813	1.062	1.061	0.125	0.138
XP-125-00.812-250B	13-16	1-1/16	1/4	0.812	0.813	1.062	1.061	0.250	0.275
XP-125-00.875-125B	7/8	1-1/8	1/8	0.875	0.876	1.125	1.124	0.125	0.138
XP-125-00.875-250B	7/8	1-1/8	1/4	0.875	0.876	1.125	1.124	0.250	0.275
XP-125-00.937-125B	15/16	1-3/16	1/8	0.937	0.938	1.223	1.222	0.125	0.138
XP-125-00.937-250B	15/16	1-3/16	1/4	0.937	0.938	1.223	1.222	0.250	0.275
XP-125-01.000-125B	1	1-1/4	1/8	1.000	1.001	1.250	1.249	0.125	0.138

U-CUP SYMMETRICAL



X-PAC® Loaded B-Lip - Symmetrical U-Cup

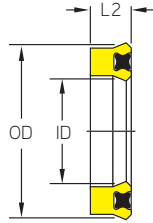
A product of MFP Seals.

MFPSEALS®

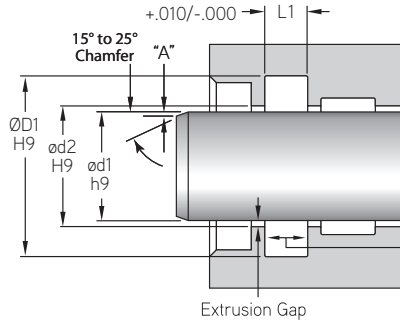
www.mfpseals.com

XP - X-PAC® B-LIP

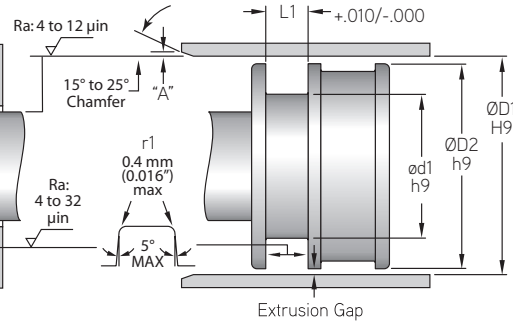
PROFILE



ROD APPLICATION

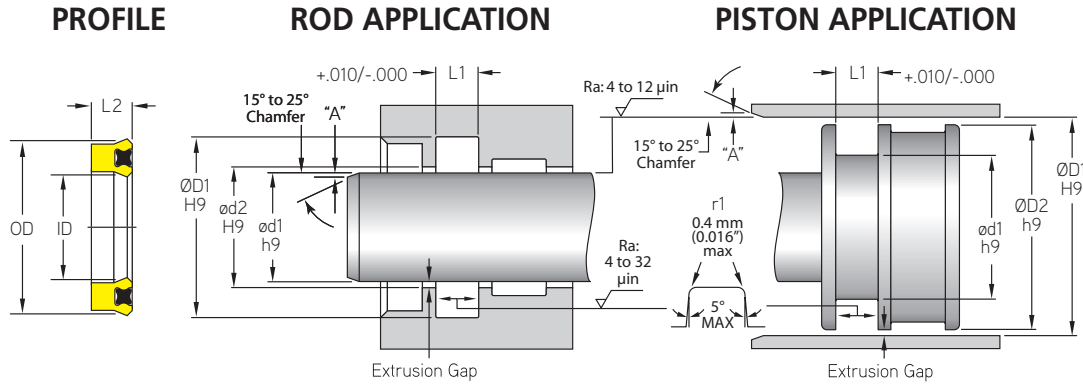


PISTON APPLICATION



U-CUP SYMMETRICAL

MFP PART NUMBER	NOMINAL SIZE			ACTUAL SIZE - ROD OR PISTON APPLICATION					
	ød1	ød2	ØD1	ød1	ød2	ØD1	ØD2	L2	L1
.125" - C/S				h9	H9	H9	h9		+.010/-0.000
XP-125-01.000-187B	1	1-1/4	3/16	1.000	1.001	1.250	1.249	0.187	0.207
XP-125-01.000-250B	1	1-1/4	1/4	1.000	1.001	1.250	1.249	0.250	0.275
XP-125-01.062-125B	1-1/16	1-5/16	1/8	1.062	1.063	1.312	1.311	0.125	0.138
XP-125-01.062-250B	1-1/16	1-5/16	1/4	1.062	1.063	1.312	1.311	0.250	0.275
XP-125-01.125-125B	1-1/8	1-3/8	1/8	1.125	1.126	1.375	1.374	0.125	0.138
XP-125-01.125-187B	1-1/8	1-3/8	3/16	1.125	1.126	1.375	1.374	0.187	0.207
XP-125-01.125-250B	1-1/8	1-3/8	1/4	1.125	1.126	1.375	1.374	0.250	0.275
XP-125-01.187-125B	1-3/16	1-7/16	1/8	1.187	1.188	1.437	1.436	0.125	0.138
XP-125-01.187-178B	1-3/16	1-7/16	0.178	1.187	1.188	1.437	1.436	0.178	0.196
XP-125-01.187-187B	1-3/16	1-7/16	3/16	1.187	1.188	1.437	1.436	0.187	0.207
XP-125-01.187-250B	1-3/16	1-7/16	1/4	1.187	1.188	1.437	1.436	0.250	0.275
XP-125-01.250-125B	1-1/4	1-1/2	1/8	1.250	1.251	1.500	1.499	0.125	0.138
XP-125-01.250-187B	1-1/4	1-1/2	3/16	1.250	1.251	1.500	1.499	0.187	0.207
XP-125-01.250-250B	1-1/4	1-1/2	1/4	1.250	1.251	1.500	1.499	0.250	0.275
XP-125-01.312-125B	1-5/16	1-9/16	1/8	1.312	1.313	1.562	1.561	0.125	0.138
XP-125-01.312-187B	1-5/16	1-9/16	3/16	1.312	1.313	1.562	1.561	0.187	0.207
XP-125-01.375-125B	1-3/8	1-5/8	1/8	1.375	1.376	1.625	1.624	0.125	0.138
XP-125-01.375-250B	1-3/8	1-5/8	1/4	1.375	1.376	1.625	1.624	0.250	0.275
XP-125-01.437-125B	1-7/16	1-11/16	1/8	1.437	1.438	1.687	1.686	0.125	0.138
XP-125-01.437-250B	1-7/16	1-11/16	1/4	1.437	1.438	1.687	1.686	0.250	0.275
XP-125-01.500-125B	1-1/2	1-3/4	1/8	1.500	1.501	1.750	1.749	0.125	0.138
XP-125-01.500-187B	1-1/2	1-3/4	3/16	1.500	1.501	1.750	1.749	0.187	0.207
XP-125-01.500-250B	1-1/2	1-3/4	1/4	1.500	1.501	1.750	1.749	0.250	0.275
XP-125-01.625-125B	1-5/8	1-7/8	1/8	1.625	1.626	1.875	1.874	0.125	0.138
XP-125-01.750-125B	1-3/4	2	1/8	1.750	1.751	2.000	1.999	0.125	0.138
XP-125-01.750-250B	1-3/4	2	1/4	1.750	1.751	2.000	1.999	0.250	0.275
XP-125-02.000-250B	2	2-1/4	1/4	2.000	2.001	2.250	2.249	0.250	0.275
XP-125-02.375-125B	2-3/8	2-5/8	1/8	2.375	2.376	2.625	2.624	0.125	0.138
XP-125-02.375-187B	2-3/8	2-5/8	3/16	2.375	2.376	2.625	2.624	0.187	0.207
XP-125-02.500-125B	2-1/2	2-3/4	1/8	2.500	2.501	2.750	2.749	0.125	0.138
XP-125-02.500-250B	2-1/2	2-3/4	1/4	2.500	2.501	2.750	2.749	0.250	0.275
XP-125-02.750-250B	2-3/4	3	1/4	2.750	2.751	3.000	2.999	0.250	0.275
XP-125-02.750-375B	2-3/4	3	3/8	2.750	2.751	3.000	2.999	0.375	0.413
XP-125-03.000-375B	3	3-1/4	3/8	3.000	3.001	3.250	3.249	0.375	0.413
XP-125-03.250-125B	3-1/4	3-1/2	1/8	3.250	3.251	3.500	3.499	0.125	0.138



MFP PART NUMBER	NOMINAL SIZE			ACTUAL SIZE - ROD OR PISTON APPLICATION					
	ød1	ød2	ØD1	ød1	ød2	ØD1	ØD2	L2	L1
.125" - C/S				h9	H9	H9	h9		+0.010/-0.000
XP-125-03.625-187B	3-5/8	3-7/8	3/16	3.625	3.626	3.875	3.874	0.187	0.207
XP-125-03.750-250B	3-3/4	4	1/4	3.750	3.751	4.000	3.999	0.250	0.275
XP-125-04.000-125B	4	4-1/4	1/8	4.000	4.001	4.250	4.249	0.125	0.138
XP-125-04.250-125B	4-1/4	4-1/2	1/8	4.250	4.251	4.500	4.499	0.125	0.138
XP-125-04.500-187B	4-1/2	4-3/4	3/16	4.500	4.501	4.750	4.749	0.187	0.207
XP-125-04.750-250B	4-3/4	5	1/4	4.750	4.751	5.000	4.999	0.250	0.275
XP-125-05.000-250B	5	5-1/4	1/4	5.000	5.001	5.250	5.249	0.250	0.275
XP-125-06.250-125B	6-1/4	6-1/2	1/8	6.250	6.251	6.500	6.499	0.125	0.138
.156" - C/S				h9	H9	H9	h9		+0.010/-0.000
XP-156-01.000-156B	1	1-5/16	5/32	1.000	1.001	1.312	1.311	0.156	0.172
XP-156-01.000-218B	1	1-5/16	7/32	1.000	1.001	1.312	1.311	0.218	0.241
XP-156-01.000-234B	1	1-5/16	0.234	1.000	1.001	1.312	1.311	0.234	0.258
XP-156-01.000-250B	1	1-5/16	1/4	1.000	1.001	1.312	1.311	0.250	0.275
XP-156-01.187-156B	1-3/16	1-1/2	5/32	1.187	1.188	1.500	1.499	0.156	0.172
XP-156-01.375-156B	1-3/8	1-11/16	5/32	1.375	1.376	0.169	1.687	0.156	0.172
XP-156-01.375-218B	1-3/8	1-11/16	7/32	1.375	1.376	1.688	1.687	0.218	0.241
XP-156-01.375-281B	1-3/8	1-11/16	9/32	1.375	1.376	1.688	1.687	0.281	0.309
XP-156-01.500-312B	1-1/2	1-13/16	5/16	1.500	1.501	1.813	1.812	0.312	0.344
.187" - C/S				h9	H9	H9	h9		+0.010/-0.000
XP-187-00.187-187B	3/16	9/16	3/16	0.187	0.188	0.562	0.561	0.187	0.207
XP-187-00.250-187B	1/4	5/8	3/16	0.250	0.251	0.625	0.624	0.187	0.207
XP-187-00.312-187B	5/16	11/16	3/16	0.312	0.313	0.688	0.687	0.187	0.207
XP-187-00.312-312B	5/16	11/16	5/16	0.312	0.313	0.688	0.687	0.312	0.344
XP-187-00.375-187B	3/8	3/4	3/16	0.375	0.376	0.750	0.749	0.187	0.207
XP-187-00.375-312B	3/8	3/4	5/16	0.375	0.376	0.750	0.749	0.312	0.344
XP-187-00.500-187B	1/2	7/8	3/16	0.500	0.501	0.875	0.874	0.187	0.207
XP-187-00.500-250B	1/2	7/8	1/4	0.500	0.501	0.875	0.874	0.250	0.275
XP-187-00.500-312B	1/2	7/8	5/16	0.500	0.501	0.875	0.874	0.312	0.344
XP-187-00.562-225B	9/16	15/16	0.225	0.562	0.563	0.937	0.936	0.225	0.248
XP-187-00.562-312B	9/16	15/16	5/16	0.562	0.563	0.937	0.936	0.312	0.344
XP-187-00.625-187B	5/8	1	3/16	0.625	0.626	1.000	0.999	0.187	0.207
XP-187-00.625-250B	5/8	1	1/4	0.625	0.626	1.000	0.999	0.250	0.275
XP-187-00.625-312B	5/8	1	5/16	0.625	0.626	1.000	0.999	0.312	0.344
XP-187-00.625-375B	5/8	1	3/8	0.625	0.626	1.000	0.999	0.375	0.413
XP-187-00.687-187B	11/16	1-1/16	3/16	0.687	0.688	1.062	1.061	0.187	0.207



X-PAC® Loaded B-Lip - Symmetrical U-Cup

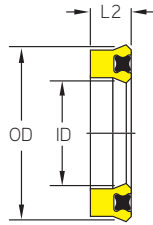
A product of MFP Seals.

MFPSEALS®

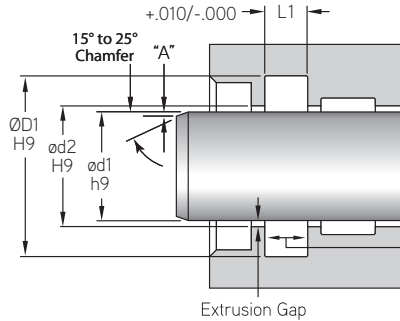
www.mfpseals.com

XP - X-PAC® B-LIP

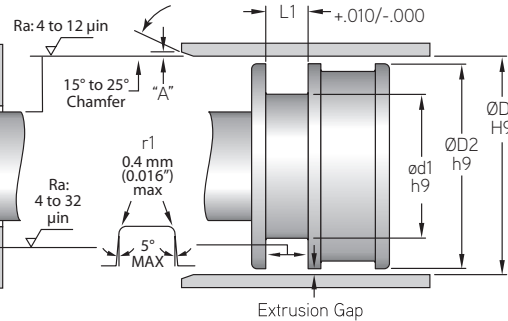
PROFILE



ROD APPLICATION



PISTON APPLICATION

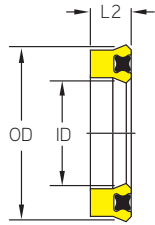


U-CUP SYMMETRICAL

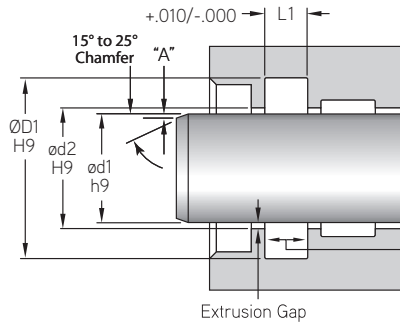
MFP PART NUMBER	NOMINAL SIZE			ACTUAL SIZE - ROD OR PISTON APPLICATION					
	ød1	ød2	ØD1	ød1	ød2	ØD1	ØD2	L2	L1
.187" - C/S				h9	H9	H9	h9		+0.010/-0.000
XP-187-00.687-312B	11/16	1-1/16	5/16	0.687	0.688	1.062	1.061	0.312	0.344
XP-187-00.750-187B	3/4	1-1/8	3/16	0.750	0.751	1.125	1.124	0.187	0.207
XP-187-00.750-312B	3/4	1-1/8	5/16	0.750	0.751	1.125	1.124	0.312	0.344
XP-187-00.812-312B	13/16	1-3/16	5/16	0.812	0.813	1.187	1.186	0.312	0.344
XP-187-00.875-187B	7/8	1-1/4	3/16	0.875	0.876	1.250	1.249	0.187	0.207
XP-187-00.875-312B	7/8	1-1/4	5/16	0.875	0.876	1.250	1.249	0.312	0.344
XP-187-00.937-312B	15/16	1-5/16	5/16	0.937	0.938	1.312	1.311	0.312	0.344
XP-187-01.000-187B	1	1-3/8	3/16	1.000	1.001	1.375	1.374	0.187	0.207
XP-187-01.000-250B	1	1-3/8	1/4	1.000	1.001	1.375	1.374	0.250	0.275
XP-187-01.000-266B	1	1-3/8	17/64	1.000	1.001	1.375	1.374	0.266	0.293
XP-187-01.000-312B	1	1-3/8	5/16	1.000	1.001	1.375	1.374	0.312	0.344
XP-187-01.000-375B	1	1-3/8	3/8	1.000	1.001	1.375	1.374	0.375	0.413
XP-187-01.062-187B	1-1/16	1-7/16	3/16	1.062	1.063	1.437	1.436	0.187	0.207
XP-187-01.062-312B	1-1/16	1-7/16	5/16	1.062	1.063	1.437	1.436	0.312	0.344
XP-187-01.125-187B	1-1/8	1-1/2	3/16	1.125	1.126	1.500	1.499	0.187	0.207
XP-187-01.125-250B	1-1/8	1-1/2	1/4	1.125	1.126	1.500	1.499	0.250	0.275
XP-187-01.125-312B	1-1/8	1-1/2	5/16	1.125	1.126	1.500	1.499	0.312	0.344
XP-187-01.125-375B	1-1/8	1-1/2	3/8	1.125	1.126	1.500	1.499	0.375	0.413
XP-187-01.187-187B	1-3/16	1-9/16	3/16	1.187	1.188	1.562	1.561	0.187	0.207
XP-187-01.187-250B	1-3/16	1-9/16	1/4	1.187	1.188	1.562	1.561	0.250	0.275
XP-187-01.187-312B	1-3/16	1-9/16	5/16	1.187	1.188	1.562	1.561	0.312	0.344
XP-187-01.250-187B	1-1/4	1-5/8	3/16	1.250	1.251	1.625	1.624	0.187	0.207
XP-187-01.250-250B	1-1/4	1-5/8	1/4	1.250	1.251	1.625	1.624	0.250	0.275
XP-187-01.250-266B	1-1/4	1-5/8	17/64	1.250	1.251	1.625	1.624	0.266	0.293
XP-187-01.250-312B	1-1/4	1-5/8	5/16	1.250	1.251	1.625	1.624	0.312	0.344
XP-187-01.250-375B	1-1/4	1-5/8	3/8	1.250	1.251	1.625	1.624	0.375	0.413
XP-187-01.312-187B	1-5/16	1-11/16	3/16	1.312	1.313	1.687	1.686	0.187	0.207
XP-187-01.312-312B	1-5/16	1-11/16	5/16	1.312	1.313	1.687	1.686	0.312	0.344
XP-187-01.375-187B	1-3/8	1-3/4	3/16	1.375	1.376	1.750	1.749	0.187	0.207
XP-187-01.375-250B	1-3/8	1-3/4	1/4	1.375	1.376	1.750	1.749	0.250	0.275
XP-187-01.375-266B	1-3/8	1-3/4	17/64	1.375	1.376	1.750	1.749	0.266	0.293
XP-187-01.375-312B	1-3/8	1-3/4	5/16	1.375	1.376	1.750	1.749	0.312	0.344
XP-187-01.375-375B	1-3/8	1-3/4	3/8	1.375	1.376	1.750	1.749	0.375	0.413
XP-187-01.437-250B	1-7/16	1-13/16	1/4	1.437	1.438	1.812	1.811	0.250	0.275
XP-187-01.437-312B	1-7/16	1-3/16	5/16	1.437	1.438	1.187	1.186	0.312	0.344



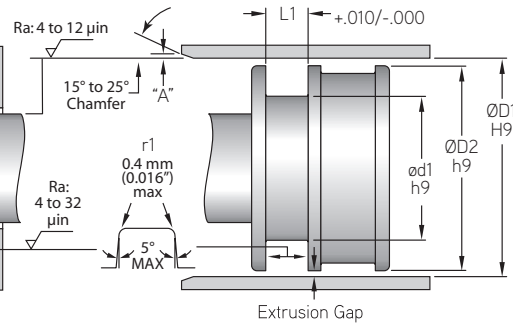
PROFILE



ROD APPLICATION



PISTON APPLICATION



XP - X-PAC® B-LIP

MFP PART NUMBER	NOMINAL SIZE			ACTUAL SIZE - ROD OR PISTON APPLICATION					
	ød1	ød2	ØD1	ød1	ød2	ØD1	ØD2	L2	L1
.187" - C/S				h9	H9	H9	h9		+0.010/-0.000
XP-187-01.500-187B	1-1/2	1-7/8	3/16	1.500	1.501	1.875	1.874	0.187	0.207
XP-187-01.500-250B	1-1/2	1-7/8	1/4	1.500	1.501	1.875	1.874	0.250	0.275
XP-187-01.500-260B	1-1/2	1-7/8	0.260	1.500	1.501	1.875	1.874	0.260	0.286
XP-187-01.500-266B	1-1/2	1-7/8	17/64	1.500	1.501	1.875	1.874	0.266	0.293
XP-187-01.500-281B	1-1/2	1-7/8	9/32	1.500	1.501	1.875	1.874	0.281	0.309
XP-187-01.500-290B	1-1/2	1-7/8	0.290	1.500	1.501	1.875	1.874	0.290	0.319
XP-187-01.500-312B	1-1/2	1-7/8	5/16	1.500	1.501	1.875	1.874	0.312	0.344
XP-187-01.500-375B	1-1/2	1-7/8	3/8	1.500	1.501	1.875	1.874	0.375	0.413
XP-187-01.562-187B	1-9/16	1-15/16	3/16	1.562	1.563	1.937	1.936	0.187	0.207
XP-187-01.562-250B	1-9/16	1-15/16	1/4	1.562	1.563	1.937	1.936	0.250	0.275
XP-187-01.562-375B	1-9/16	1-15/16	3/8	1.562	1.563	1.937	1.936	0.375	0.413
XP-187-01.625-187B	1-5/8	2	3/16	1.625	1.626	2.000	1.999	0.187	0.207
XP-187-01.625-250B	1-5/8	2	1/4	1.625	1.626	2.000	1.999	0.250	0.275
XP-187-01.625-266B	1-5/8	2	17/64	1.625	1.636	2.000	1.999	0.266	0.293
XP-187-01.625-312B	1-5/8	2	5/16	1.625	1.626	2.000	1.999	0.312	0.344
XP-187-01.625-375B	1-5/8	2	3/8	1.625	1.626	2.000	1.999	0.375	0.413
XP-187-01.687-187B	1-11/16	2-1/16	3/16	1.687	1.688	2.062	2.061	0.187	0.207
XP-187-01.750-187B	1-3/4	2-1/8	3/16	1.750	1.751	2.125	2.124	0.187	0.207
XP-187-01.750-250B	1-3/4	2-1/8	1/4	1.750	1.751	2.125	2.124	0.250	0.275
XP-187-01.750-266B	1-3/4	2-1/8	17/64	1.750	1.751	2.125	2.124	0.266	0.293
XP-187-01.750-275B	1-3/4	2-1/8	0.275	1.750	1.751	2.125	2.124	0.275	0.303
XP-187-01.750-312B	1-3/4	2-1/8	5/16	1.750	1.751	2.125	2.124	0.312	0.344
XP-187-01.750-375B	1-3/4	2-1/8	3/8	1.750	1.751	2.125	2.124	0.375	0.413
XP-187-01.812-187B	1-53/64	2-7/32	3/16	1.812	1.813	2.187	2.186	0.187	0.207
XP-187-01.875-187B	1-7/8	2-1/4	3/16	1.875	1.876	2.250	2.249	0.187	0.207
XP-187-01.875-250B	1-7/8	2-1/4	1/4	1.875	1.876	2.250	2.249	0.250	0.275
XP-187-01.875-266B	1-7/8	2-1/4	17/64	1.875	1.876	2.250	2.249	0.266	0.293
XP-187-01.875-312B	1-7/8	2-1/4	5/16	1.875	1.876	2.250	2.249	0.312	0.344
XP-187-01.875-375B	1-7/8	2-1/4	3/8	1.875	1.876	2.250	2.249	0.375	0.413
XP-187-02.000-187B	2	2-3/8	3/16	2.000	2.001	2.375	2.374	0.187	0.207
XP-187-02.000-230B	2	2-3/8	0.230	2.000	2.001	2.375	2.374	0.230	0.253
XP-187-02.000-250B	2	2-3/8	1/4	2.000	2.001	2.375	2.374	0.250	0.275
XP-187-02.000-312B	2	2-3/8	5/16	2.000	2.001	2.375	2.374	0.312	0.344
XP-187-02.000-355B	2	2-3/8	0.355	2.000	2.001	2.375	2.374	0.355	0.301
XP-187-02.000-375B	2	2-3/8	3/8	2.000	2.001	2.375	2.374	0.375	0.413

U-CUP SYMMETRICAL



X-PAC® Loaded B-Lip - Symmetrical U-Cup

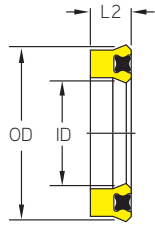
A product of MFP Seals.

MFPSEALS®

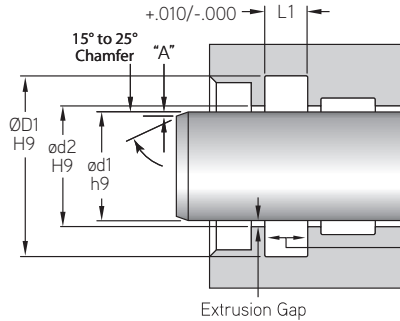
www.mfpseals.com

XP - X-PAC® B-LIP

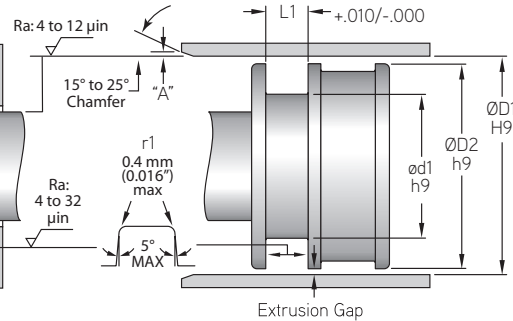
PROFILE



ROD APPLICATION



PISTON APPLICATION

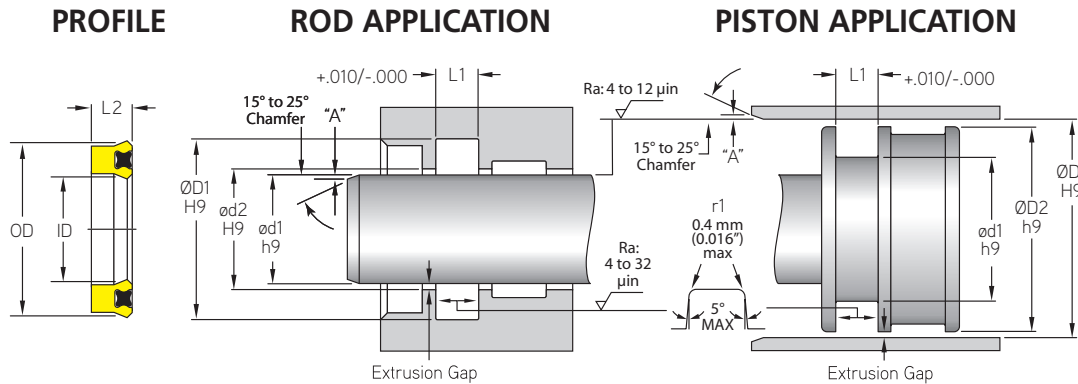


U-CUP SYMMETRICAL

MFP PART NUMBER	NOMINAL SIZE			ACTUAL SIZE - ROD OR PISTON APPLICATION					
	ød1	ød2	ØD1	ød1	ød2	ØD1	ØD2	L2	L1
.187" - C/S				h9	H9	H9	h9		+0.010/-0.000
XP-187-02.125-187B	2-1/8	2-1/2	3/16	2.125	2.126	2.500	2.499	0.187	0.207
XP-187-02.125-250B	2-1/8	2-1/2	1/4	2.125	2.126	2.500	2.499	0.250	0.275
XP-187-02.125-266B	2-1/8	2-1/2	17/64	2.125	2.126	2.500	2.499	0.266	0.293
XP-187-02.125-312B	2-1/8	2-1/2	5/16	2.125	2.126	2.500	2.499	0.312	0.344
XP-187-02.125-375B	2-1/8	2-1/2	3/8	2.125	2.126	2.500	2.499	0.375	0.413
XP-187-02.187-375B	2-3/16	2-9/16	3/8	2.187	2.188	2.562	2.561	0.375	0.413
XP-187-02.250-187B	2-1/4	2-5/8	3/16	2.250	2.251	2.625	2.624	0.187	0.207
XP-187-02.250-250B	2-1/4	2-5/8	1/4	2.250	2.251	2.625	2.624	0.250	0.275
XP-187-02.250-312B	2-1/4	2-5/8	5/16	2.225	2.251	2.625	2.624	0.312	0.344
XP-187-02.250-375B	2-1/4	2-5/8	3/8	2.250	2.251	2.625	2.624	0.375	0.413
XP-187-02.375-187B	2-3/8	2-3/4	3/16	2.375	2.376	2.750	2.749	0.187	0.207
XP-187-02.375-250B	2-3/8	2-3/4	1/4	2.375	2.376	2.750	2.749	0.250	0.275
XP-187-02.375-266B	2-3/8	2-3/4	17/64	2.375	2.376	2.750	2.749	0.266	0.293
XP-187-02.375-312B	2-3/8	2-3/4	5/16	2.375	2.376	2.750	2.749	0.312	0.344
XP-187-02.375-375B	2-3/8	2-3/4	3/8	2.375	2.376	2.750	2.749	0.375	0.413
XP-187-02.375-500B	2-3/8	2-3/4	1/2	2.375	2.376	2.750	2.749	0.500	0.550
XP-187-02.437-187B	2-7/16	2-13/16	3/16	2.437	2.438	2.812	2.811	0.187	0.207
XP-187-02.500-187B	2-1/2	2-7/8	3/16	2.500	2.501	2.875	2.874	0.187	0.207
XP-187-02.500-250B	2-1/2	2-7/8	1/4	2.500	2.501	2.875	2.874	0.250	0.275
XP-187-02.500-266B	2-1/2	2-7/8	17/64	2.500	2.501	2.875	2.874	0.266	0.293
XP-187-02.500-312B	2-1/2	2-7/8	5/16	2.500	2.501	2.875	2.874	0.312	0.344
XP-187-02.500-375B	2-1/2	2-7/8	3/8	2.500	2.501	2.875	2.874	0.375	0.413
XP-187-02.625-187B	2-5/8	3	3/16	2.625	2.626	3.000	2.999	0.187	0.207
XP-187-02.625-250B	2-5/8	3	1/4	2.625	2.626	3.000	2.999	0.250	0.275
XP-187-02.625-266B	2-5/8	3	17/64	2.625	2.626	3.000	2.999	0.266	0.293
XP-187-02.625-281B	2-5/8	3	9/32	2.625	2.626	3.000	2.999	0.281	0.309
XP-187-02.625-375B	2-5/8	3	3/8	2.625	2.626	3.000	2.999	0.375	0.413
XP-187-02.750-187B	2-3/4	3-1/8	3/16	2.750	2.751	3.125	3.124	0.187	0.207
XP-187-02.750-312B	2-3/4	3-1/8	5/16	2.750	2.751	3.125	3.124	0.312	0.344
XP-187-02.750-375B	2-3/4	3-1/8	3/8	2.750	2.751	3.125	3.124	0.375	0.413
XP-187-02.875-187B	2-7/8	3-1/4	3/16	2.875	2.876	3.250	3.249	0.187	0.207
XP-187-02.875-250B	2-7/8	3-1/4	1/4	2.875	2.876	3.250	3.249	0.250	0.275
XP-187-02.875-266B	2-7/8	3-1/4	17/64	2.875	2.876	3.250	3.249	0.375	0.413
XP-187-02.875-375B	2-7/8	3-1/4	3/8	2.875	2.876	3.250	3.249	0.375	0.413
XP-187-03.000-187B	3	3-3/8	3/16	3.000	3.001	3.375	3.374	0.187	0.207



XP - X-PAC® B-LIP



MFP PART NUMBER	NOMINAL SIZE			ACTUAL SIZE - ROD OR PISTON APPLICATION					
	ød1	ød2	ØD1	ød1	ød2	ØD1	ØD2	L2	L1
.187" - C/S				h9	H9	H9	h9		+0.010/-0.000
XP-187-03.000-312B	3	3-1/8	5/16	3.000	3.001	3.375	3.374	0.312	0.344
XP-187-03.000-375B	3	3-1/8	3/8	3.000	3.001	3.375	3.374	0.375	0.413
XP-187-03.125-187B	3-1/8	3-1/2	3/16	3.125	3.126	3.500	3.499	0.187	0.207
XP-187-03.125-250B	3-1/8	3-1/2	1/4	3.125	3.126	3.500	3.499	0.250	0.275
XP-187-03.125-312B	3-1/8	3-1/2	5/16	3.125	3.126	3.500	3.499	0.312	0.344
XP-187-03.125-375B	3-1/8	3-1/2	3/8	3.125	3.126	3.500	3.499	0.375	0.413
XP-187-03.250-375B	3-1/4	3-5/8	3/8	3.250	3.251	3.625	3.624	0.375	0.413
XP-187-03.250-500B	3-1/4	3-5/8	1/2	3.250	3.251	3.625	3.624	0.500	0.550
XP-187-03.375-187B	3-3/8	3-3/4	3/16	3.375	3.376	3.750	3.749	0.187	0.207
XP-187-03.375-250B	3-3/8	3-3/4	1/4	3.375	3.376	3.750	3.749	0.250	0.275
XP-187-03.375-375B	3-3/8	3-3/4	3/8	3.375	3.376	3.750	3.749	0.375	0.413
XP-187-03.500-187B	3-1/2	3-7/8	3/16	3.500	3.501	3.875	3.874	0.187	0.207
XP-187-03.500-312B	3-1/2	3-7/8	5/16	3.500	3.501	3.875	3.874	0.312	0.344
XP-187-03.500-375B	3-1/2	3-7/8	3/8	3.500	3.501	3.875	3.874	0.375	0.413
XP-187-03.625-187B	3-5/8	4	3/16	3.625	3.626	4.000	3.999	0.187	0.207
XP-187-03.625-250B	3-5/8	4	1/4	3.625	3.626	4.000	3.999	0.250	0.275
XP-187-03.625-375B	3-5/8	4	3/8	3.625	3.626	4.000	3.999	0.375	0.413
XP-187-03.750-187B	3-3/4	4-1/8	3/16	3.750	3.751	4.125	4.124	0.187	0.207
XP-187-03.750-375B	3-3/4	4-1/8	3/8	3.750	3.751	4.125	4.124	0.375	0.413
XP-187-03.875-375B	3-7/8	4-1/4	3/8	3.875	3.876	4.250	4.249	0.375	0.413
XP-187-04.000-187B	4	4-3/8	3/16	4.000	4.001	4.375	4.374	0.187	0.207
XP-187-04.000-312B	4	4-3/8	5/16	4.000	4.001	4.375	4.374	0.312	0.344
XP-187-04.000-375B	4	4-3/8	3/8	4.000	4.001	4.375	4.374	0.375	0.413
XP-187-04.125-187B	4-1/8	4-1/2	3/16	4.125	4.126	4.500	4.499	0.187	0.207
XP-187-04.125-375B	4-1/8	4-1/2	3/8	4.125	4.126	4.500	4.499	0.375	0.413
XP-187-04.250-375B	4-1/4	4-5/8	3/8	4.250	4.251	4.625	4.624	0.375	0.413
XP-187-04.375-187B	4-1/4	4-5/8	3/16	4.250	4.251	4.625	4.624	0.187	0.207
XP-187-04.375-375B	4-3/8	4-3/4	3/8	4.375	4.376	4.750	4.749	0.375	0.413
XP-187-04.500-250B	4-1/2	4-7/8	1/4	4.500	4.501	4.875	4.874	0.250	0.275
XP-187-04.500-312B	4-1/2	4-7/8	5/16	4.500	4.501	4.875	4.874	0.312	0.344
XP-187-04.500-375B	4-1/2	4-7/8	3/8	4.500	4.501	4.875	4.874	0.375	0.413
XP-187-04.750-187B	4-3/4	5-1/8	3/16	4.750	4.751	5.125	5.124	0.187	0.207
XP-187-04.750-375B	4-3/4	5-1/8	3/8	4.750	4.751	5.125	5.124	0.375	0.413
XP-187-05.000-312B	5	5-3/8	5/16	5.000	5.001	5.375	5.374	0.312	0.344
XP-187-05.000-375B	5	5-3/8	3/8	5.000	5.001	5.375	5.374	0.375	0.413

U-CUP SYMMETRICAL



X-PAC® Loaded B-Lip - Symmetrical U-Cup

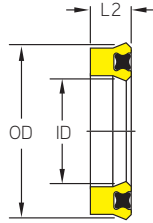
A product of MFP Seals.

MFPSEALS®

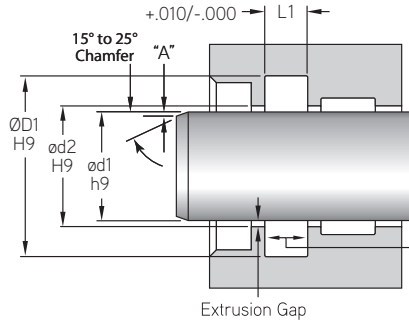
www.mfpseals.com

XP - X-PAC® B-LIP

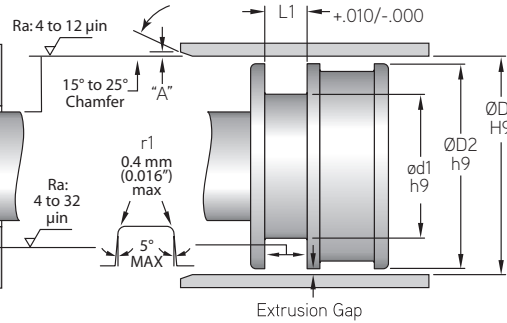
PROFILE



ROD APPLICATION

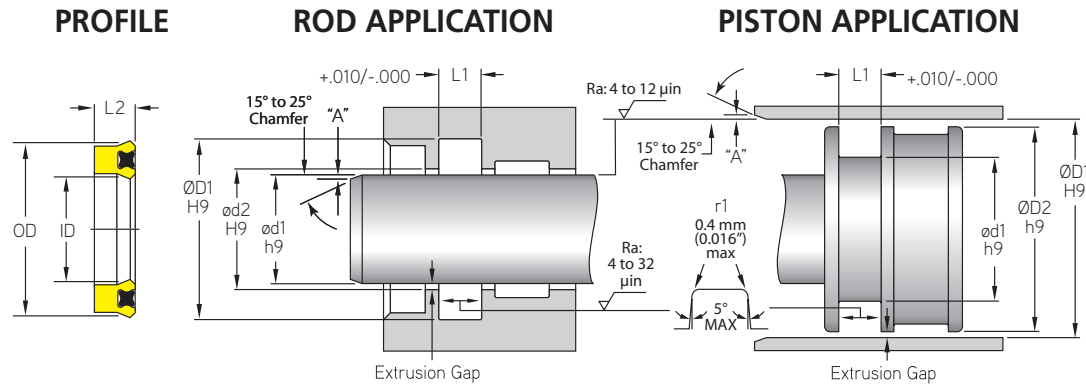


PISTON APPLICATION



U-CUP SYMMETRICAL

MFP PART NUMBER	NOMINAL SIZE			ACTUAL SIZE - ROD OR PISTON APPLICATION					
	ød1	ød2	ØD1	ød1	ød2	ØD1	ØD2	L2	L1
.187" - C/S				h9	H9	H9	h9		+0.010/-0.000
XP-187-05.125-187B	5-1/8	5-1/2	3/16	5.125	5.126	5.500	5.499	0.187	0.207
XP-187-05.250-375B	5-1/4	5-5/8	3/8	5.250	5.251	5.625	5.624	0.375	0.413
XP-187-05.375-375B	5-3/8	5-3/4	3/8	5.375	5.376	5.750	5.749	0.375	0.413
XP-187-05.500-375B	5-1/2	5-7/8	3/8	5.500	5.501	5.875	5.874	0.375	0.413
XP-187-05.625-375B	5-5/8	6	3/8	5.625	5.626	6.000	5.999	0.375	0.413
XP-187-05.750-187B	5-3/4	6-1/8	3/16	5.750	5.751	6.125	6.124	0.187	0.207
XP-187-05.750-375B	5-3/4	6-1/8	3/8	5.750	5.751	6.125	6.124	0.375	0.413
XP-187-06.000-375B	6	6-3/8	3/8	6.000	6.001	6.375	6.374	0.375	0.413
XP-187-06.250-312B	6-1/4	6-5/8	5/16	6.250	6.251	6.625	6.624	0.312	0.344
XP-187-07.500-312B	7-1/2	7-7/8	3/8	7.500	7.501	7.875	7.874	0.312	0.344
.218" - C/S				h9	H9	H9	h9		+0.010/-0.000
XP-218-01.562-312B	1-9/16	2	5/16	1.562	1.563	2.000	1.999	0.312	0.344
XP-218-02.500-218B	2-1/2	2-15/16	7/32	2.500	2.501	2.937	2.936	0.218	0.241
XP-218-02.500-281B	2-1/2	2-15/16	9/32	2.500	2.501	2.937	2.936	0.281	0.309
XP-218-02.562-218B	2-9/16	3	7/32	2.562	2.563	3.000	2.999	0.218	0.241
XP-218-03.000-218B	3	3-7/16	7/32	3.000	3.001	3.437	3.436	0.218	0.241
XP-218-05.437-562B	5-7/16	5-7/8	9/16	5.437	5.438	5.874	5.873	0.562	0.619
.250" - C/S				h9	H9	H9	h9		+0.010/-0.000
XP-250-00.375-375B	1-3/8	1-7/8	3/8	0.375	0.376	0.875	0.874	0.375	0.413
XP-250-00.437-375B	7/16	15/16	3/8	0.437	0.438	0.937	0.936	0.375	0.413
XP-250-00.500-250B	1/2	1	1/4	0.500	0.501	1.000	0.999	0.250	0.275
XP-250-00.500-375B	1/2	1	3/8	0.500	0.501	1.000	0.999	0.375	0.413
XP-250-00.562-312B	9/16	1-1/16	5/16	0.562	0.563	1.062	1.061	0.312	0.344
XP-250-00.562-375B	9/16	1-1/16	3/8	0.562	0.563	1.062	1.061	0.375	0.413
XP-250-00.625-375B	5/8	1-1/8	3/8	0.625	0.626	1.125	1.124	0.375	0.413
XP-250-00.687-375B	11/16	1-3/16	3/8	0.687	0.688	1.187	1.186	0.375	0.413
XP-250-00.750-250B	3/4	1-1/4	1/4	0.750	0.751	1.250	1.249	0.250	0.275
XP-250-00.750-375B	3/4	1-1/4	3/8	0.750	0.751	1.250	1.249	0.375	0.413
XP-250-00.750-562B	3/4	1-1/4	9/16	0.750	0.751	1.250	1.249	0.562	0.619
XP-250-00.812-375B	13/16	1-5/16	3/8	0.812	0.813	1.312	1.311	0.375	0.413
XP-250-00.875-250B	7/8	1-3/8	1/4	0.875	0.876	1.375	1.374	0.250	0.275
XP-250-00.875-312B	7/8	1-3/8	5/16	0.875	0.876	1.375	1.374	0.312	0.344
XP-250-00.875-375B	7/8	1-3/8	3/8	0.875	0.876	1.375	1.374	0.375	0.413
XP-250-01.000-250B	1	1-1/2	1/4	1.000	1.001	1.500	1.499	0.250	0.275
XP-250-01.000-375B	1	1-1/2	3/8	1.000	1.001	1.500	1.499	0.375	0.413



MFP PART NUMBER	NOMINAL SIZE			ACTUAL SIZE - ROD OR PISTON APPLICATION					
	ød1	ød2	ØD1	ød1	ød2	ØD1	ØD2	L2	L1
.250" - C/S				h9	H9	H9	h9		+0.010/-0.000
XP-250-01.125-250B	1-1/8	1-5/8	1/4	1.125	1.126	1.625	1.624	0.250	0.275
XP-250-01.125-375B	1-1/8	1-5/8	3/8	1.125	1.126	1.625	1.624	0.375	0.413
XP-250-01.250-250B	1-1/4	1-3/4	1/4	1.250	1.251	1.750	1.749	0.250	0.275
XP-250-01.250-375B	1-1/4	1-3/4	3/8	1.250	1.251	1.750	1.749	0.375	0.413
XP-250-01.312-375B	1-5/16	1-13/16	3/8	1.312	1.313	1.812	1.811	0.375	0.413
XP-250-01.375-250B	1-3/8	1-7/8	1/4	1.375	1.376	1.875	1.874	0.250	0.275
XP-250-01.375-375B	1-3/8	1-7/8	3/8	1.375	1.376	1.875	1.874	0.375	0.413
XP-250-01.437-375B	1-7/16	1-15/16	3/8	1.437	1.438	1.937	1.936	0.375	0.413
XP-250-01.500-250B	1/-1/2	2	1/4	1.500	1.501	2.000	1.999	0.250	0.275
XP-250-01.500-312B	1-1/2	2	5/16	1.500	1.501	2.000	1.999	0.312	0.344
XP-250-01.500-375B	1-1/2	2	3/8	1.500	1.501	2.000	1.999	0.375	0.413
XP-250-01.500-500B	1-1/2	2	1/2	1.500	1.501	2.000	1.999	0.500	0.550
XP-250-01.500-562B	1-1/2	2	9/16	1.500	1.501	2.000	1.999	0.562	0.619
XP-250-01.562-250B	1-5/32	2-1/16	1/4	1.562	1.563	2.062	2.061	0.250	0.275
XP-250-01.562-312B	1-9/16	2-1/16	5/16	1.562	1.563	2.062	2.061	0.312	0.344
XP-250-01.625-312B	1-5/8	2-1/8	5/16	1.625	1.626	2.125	2.124	0.312	0.344
XP-250-01.625-375B	1-5/8	2-1/8	3/8	1.625	1.626	2.125	2.124	0.375	0.413
XP-250-01.750-250B	1-3/4	2-1/4	1/4	1.750	1.751	2.250	2.249	0.250	0.275
XP-250-01.750-312B	1-3/4	2-1/4	5/16	1.750	1.751	2.250	2.249	0.312	0.344
XP-250-01.750-375B	1-3/4	2-1/4	3/8	1.750	1.751	2.250	2.249	0.375	0.413
XP-250-01.750-500B	1-3/4	2-1/4	1/2	1.750	1.751	2.250	2.249	0.500	0.550
XP-250-01.875-375B	1-7/8	2-3/8	3/8	1.875	1.876	2.375	2.374	0.375	0.413
XP-250-02.000-250B	2	2-1/2	1/4	2.000	2.001	2.500	2.499	0.250	0.275
XP-250-02.000-312B	2	2-1/2	5/16	2.000	2.001	2.500	2.499	0.312	0.344
XP-250-02.000-375B	2	2-1/2	3/8	2.000	2.001	2.500	2.499	0.375	0.413
XP-250-02.000-500B	2	2-1/2	1/2	2.000	2.001	2.500	2.499	0.500	0.550
XP-250-02.125-250B	2-1/8	2-5/8	1/4	2.125	2.126	2.625	2.624	0.250	0.275
XP-250-02.125-375B	2-1/8	2-5/8	3/8	2.125	2.126	2.625	2.624	0.375	0.413
XP-250-02.187-375B	2-3/16	2-11/16	3/8	2.187	2.188	2.687	2.686	0.250	0.275
XP-250-02.250-250B	2-1/4	2-3/4	1/4	2.250	2.251	2.750	2.749	0.250	0.275
XP-250-02.250-375B	2-1/4	2-3/4	3/8	2.250	2.251	2.750	2.749	0.375	0.413
XP-250-02.375-375B	2-3/8	2-7/8	3/8	2.375	2.376	2.875	2.874	0.375	0.430
XP-250-02.500-250B	2-1/2	3	1/4	2.500	2.501	3.000	2.999	0.250	0.275
XP-250-02.500-312B	2-1/2	3	5/16	2.500	2.501	3.000	2.999	0.312	0.344
XP-250-02.500-375B	2-1/2	3	3/8	2.500	2.501	3.000	2.999	0.375	0.413



X-PAC® Loaded B-Lip - Symmetrical U-Cup

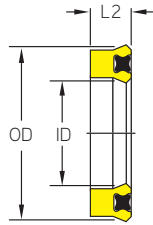
A product of MFP Seals.

MFPSEALS®

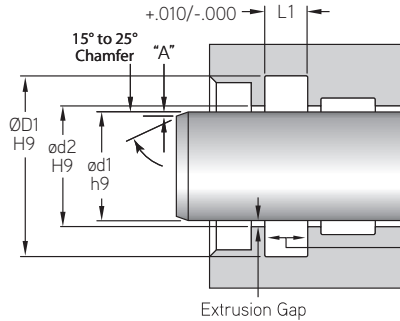
www.mfpseals.com

XP - X-PAC® B-LIP

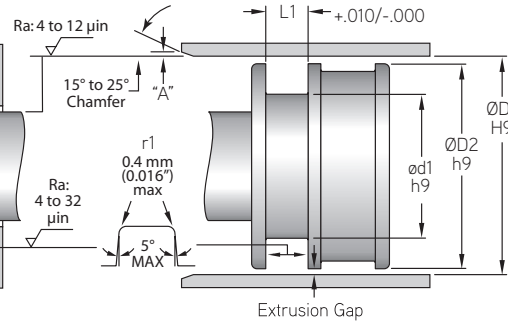
PROFILE



ROD APPLICATION



PISTON APPLICATION

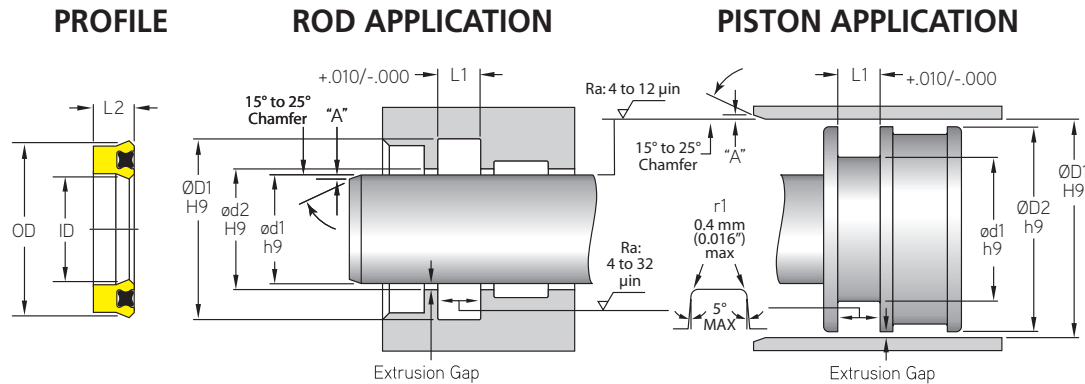


U-CUP SYMMETRICAL

MFP PART NUMBER	NOMINAL SIZE			ACTUAL SIZE - ROD OR PISTON APPLICATION					
	ød1	ød2	ØD1	ød1	ød2	ØD1	ØD2	L2	L1
.250" - C/S				h9	H9	H9	h9		+0.010/-0.000
XP-250-02.500-500B	2-1/2	3	1/2	2.500	2.501	3.000	2.999	0.500	0.550
XP-250-02.500-750B	2-1/2	3	3/4	2.500	2.501	3.000	2.999	0.750	0.825
XP-250-02.625-250B	2-5/8	3-1/8	1/4	2.625	2.626	3.125	3.124	0.250	0.275
XP-250-02.625-375B	2-5/8	3-1/8	3/8	2.625	2.626	3.125	3.124	0.375	0.413
XP-250-02.750-250B	2-3/4	3-1/4	1/4	2.750	2.751	3.250	3.249	0.250	0.275
XP-250-02.750-375B	2-3/4	3-1/4	3/8	2.750	2.751	3.250	3.249	0.375	0.413
XP-250-02.750-500B	2-3/4	3-1/4	1/2	2.750	2.751	3.250	3.249	0.500	0.550
XP-250-02.750-750B	2-3/4	3-1/4	3/4	2.750	2.751	3.250	3.249	0.750	0.825
XP-250-02.875-250B	2-7/8	3-3/8	1/4	2.875	2.876	3.375	3.374	0.250	0.275
XP-250-02.875-375B	2-7/8	3-3/8	3/8	2.875	2.876	3.375	3.374	0.375	0.413
XP-250-03.000-250B	3	3-1/2	1/4	3.000	3.001	3.500	3.499	0.250	0.275
XP-250-03.000-375B	3	3-1/2	3/8	3.000	3.001	3.500	3.499	0.375	0.413
XP-250-03.000-500B	3	3-1/2	1/2	3.000	3.001	3.500	3.499	0.500	0.550
XP-250-03.125-250B	3-1/8	3-5/8	1/4	3.125	3.126	3.625	3.624	0.250	0.275
XP-250-03.125-375B	3-1/8	3-5/8	3/8	3.125	3.126	3.625	3.624	0.375	0.413
XP-250-03.250-250B	3-1/4	3-3/4	1/4	3.250	3.251	3.750	3.549	0.250	0.275
XP-250-03.250-375B	3-1/4	3-3/4	3/8	3.250	3.251	3.750	3.749	0.375	0.413
XP-250-03.250-500B	3-1/4	3-3/4	1/2	3.250	3.251	3.750	3.749	0.500	0.550
XP-250-03.375-250B	3-3/8	3-7/8	1/4	3.375	3.376	3.875	3.874	0.250	0.275
XP-250-03.375-375B	3-3/8	3-7/8	3/8	3.375	3.376	3.875	3.874	0.375	0.413
XP-250-03.500-250B	3-1/2	4	1/4	3.500	3.501	4.000	3.999	0.250	0.275
XP-250-03.500-312B	3-1/2	4	5/16	3.500	3.501	4.000	3.999	0.312	0.344
XP-250-03.500-375B	3-1/2	4	3/8	3.500	3.501	4.000	3.999	0.375	0.413
XP-250-03.500-500B	3-1/2	4	1/2	3.500	3.501	4.000	3.999	0.500	0.550
XP-250-03.500-562B	3-1/2	4	9/16	3.500	3.501	4.000	3.999	0.562	0.619
XP-250-03.500-625B	3-1/2	4	5/8	3.500	3.501	4.000	3.999	0.625	0.688
XP-250-03.625-375B	3-5/8	4-1/8	3/8	3.625	3.626	4.125	4.124	0.375	0.413
XP-250-03.750-250B	3-3/4	4-1/4	1/4	3.750	3.751	4.250	4.249	0.250	0.275
XP-250-03.750-375B	3-3/4	4-1/4	3/8	3.750	3.751	4.250	4.249	0.375	0.413
XP-250-03.750-500B	3-3/4	4-1/4	1/2	3.750	3.751	4.250	4.249	0.500	0.550
XP-250-03.750-562B	3-3/4	4-1/4	9/16	3.750	3.751	4.250	4.249	0.562	0.619
XP-250-03.875-375B	3-7/8	4-3/8	3/8	3.875	3.876	4.375	4.374	0.375	0.413
XP-250-04.000-250B	4	4-1/2	1/4	4.000	4.001	4.500	4.499	0.250	0.275
XP-250-04.000-312B	4	4-1/2	5/16	4.000	4.001	4.500	4.499	0.312	0.344
XP-250-04.000-375B	4	4-1/2	3/8	4.000	4.001	4.500	4.499	0.375	0.413



XP - X-PAC® B-LIP



MFP PART NUMBER	NOMINAL SIZE			ACTUAL SIZE - ROD OR PISTON APPLICATION					
	ød1	ød2	ØD1	ød1	ød2	ØD1	ØD2	L2	L1
.250" - C/S				h9	H9	H9	h9		+0.010/-0.000
XP-250-04.000-500B	4	4-1/2	1/2	4.000	4.001	4.500	4.499	0.500	0.550
XP-250-04.000-562B	4	4-1/2	9/16	4.000	4.001	4.500	4.499	0.562	0.619
XP-250-04.125-375B	4-1/8	4-5/8	3/8	4.125	4.126	4.625	4.624	0.375	0.413
XP-250-04.125-562B	4-1/8	4-5/8	9/16	4.125	4.126	4.625	4.624	0.562	0.619
XP-250-04.250-250B	4-1/4	4-3/4	1/4	4.250	4.251	4.750	4.749	0.250	0.275
XP-250-04.250-375B	4-1/4	4-3/4	3/8	4.250	4.251	4.750	4.749	0.375	0.413
XP-250-04.250-562B	4-1/4	4-3/4	9/16	4.250	4.251	4.750	4.749	0.562	0.619
XP-250-04.375-250B	4-3/8	4-7/8	1/4	4.375	4.376	4.875	4.874	0.250	0.275
XP-250-04.375-562B	4-3/8	4-7/8	9/16	4.375	4.376	4.875	4.874	0.562	0.619
XP-250-04.500-250B	4-1/2	5	1/4	4.500	4.501	5.000	4.999	0.250	0.275
XP-250-04.500-312B	4-1/2	5	5/16	4.500	4.501	5.000	4.999	0.312	0.344
XP-250-04.500-375B	4-1/2	5	3/8	4.500	4.501	5.000	4.999	0.375	0.413
XP-250-04.500-500B	4-1/2	5	1/2	4.500	4.501	5.000	4.999	0.500	0.550
XP-250-04.500-562B	4-1/2	5	9/16	4.500	4.501	5.000	4.999	0.562	0.619
XP-250-04.500-625B	4-1/2	5	5/8	4.500	4.501	5.000	4.999	0.625	0.688
XP-250-04.625-250B	4-5/8	5-1/8	1/4	4.625	4.626	5.125	5.124	0.250	0.275
XP-250-04.625-500B	4-5/8	5-1/8	1/2	4.625	4.626	5.125	5.124	0.500	0.550
XP-250-04.625-562B	4-5/8	5-1/8	9/16	4.625	4.626	5.125	5.124	0.562	0.619
XP-250-04.750-250B	4-3/4	5-1/4	1/4	4.750	4.751	5.250	5.249	0.250	0.275
XP-250-04.750-375B	4-3/4	5-1/4	3/8	4.750	4.751	5.250	5.249	0.375	0.344
XP-250-04.750-562B	4-3/4	5-1/4	9/16	4.750	4.751	5.250	5.249	0.562	0.619
XP-250-04.875-562B	4-7/8	5-3/8	9/16	4.875	4.876	5.375	5.374	0.562	0.619
XP-250-04.875-625B	4-7/8	5-3/8	5/8	4.875	4.876	5.375	5.374	0.625	0.688
XP-250-05.000-250B	5	5-1/2	1/4	5.000	5.001	5.500	5.499	0.250	0.275
XP-250-05.000-375B	5	5-1/2	3/8	5.000	5.001	5.500	5.499	0.375	0.413
XP-250-05.000-500B	5	5-1/2	1/2	5.000	5.001	5.500	5.499	0.500	0.550
XP-250-05.000-562B	5	5-1/2	9/16	5.000	5.001	5.500	5.499	0.562	0.619
XP-250-05.000-625B	5	5-1/2	5/8	5.000	5.001	5.500	5.499	0.625	0.688
XP-250-05.250-250B	5-1/4	5-3/4	1/4	5.250	5.251	5.750	5.749	0.250	0.275
XP-250-05.250-375B	5-1/4	5-3/4	3/8	5.250	5.251	5.750	5.749	0.375	0.413
XP-250-05.250-562B	5-1/4	5-3/4	9/16	5.250	5.251	5.750	5.749	0.562	0.619
XP-250-05.375-250B	5-3/8	5-7/8	1/4	5.375	5.376	5.875	5.874	0.250	0.275
XP-250-05.375-375B	5-3/8	5-7/8	3/8	5.375	5.376	5.875	5.874	0.375	0.413
XP-250-05.375-437B	5-3/8	5-7/8	7/16	5.375	5.376	5.875	5.874	0.437	0.481
XP-250-05.375-562B	5-3/8	5-7/8	9/16	5.375	5.376	5.875	5.874	0.562	0.619

U-CUP SYMMETRICAL



X-PAC® Loaded B-Lip - Symmetrical U-Cup

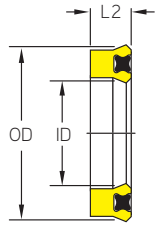
A product of MFP Seals.

MFPSEALS®

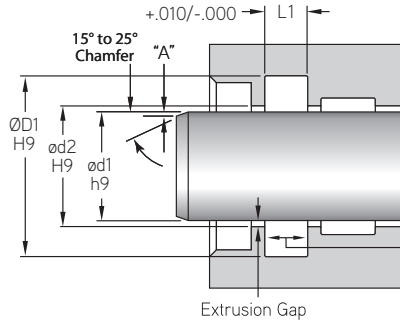
www.mfpseals.com

XP - X-PAC® B-LIP

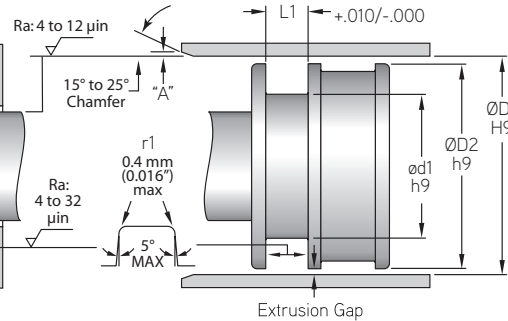
PROFILE



ROD APPLICATION



PISTON APPLICATION

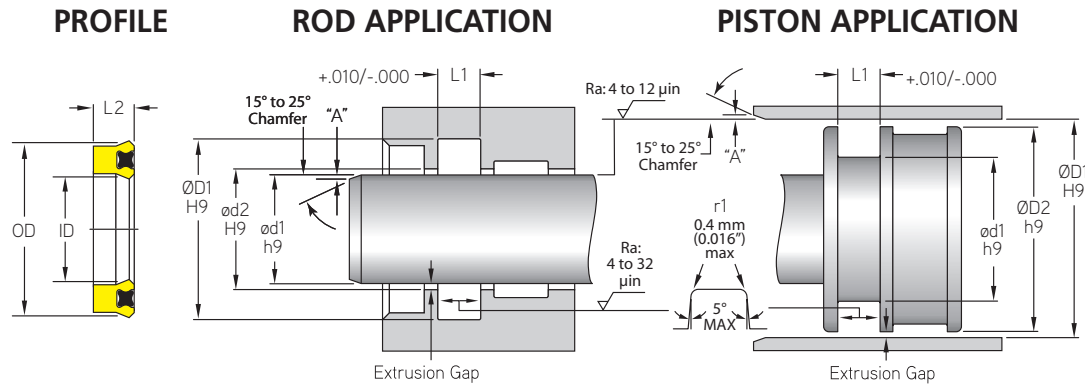


U-CUP SYMMETRICAL

MFP PART NUMBER	NOMINAL SIZE			ACTUAL SIZE - ROD OR PISTON APPLICATION					
	ød1	ød2	ØD1	ød1	ød2	ØD1	ØD2	L2	L1
.250" - C/S				h9	H9	H9	h9		+0.010/-0.000
XP-250-05.500-250B	5-1/2	6	1/4	5.500	5.001	6.000	5.999	0.250	0.275
XP-250-05.500-375B	5-1/2	6	3/8	5.500	5.001	6.000	5.999	0.375	0.413
XP-250-05.500-562B	5-1/2	6	9/16	5.500	5.001	6.000	5.999	0.562	0.619
XP-250-05.500-625B	5-1/2	6	5/8	5.500	5.501	6.000	5.999	0.625	0.688
XP-250-05.625-562B	5-5/8	6-1/8	9/16	5.625	5.626	6.125	6.124	0.562	0.619
XP-250-05.750-375B	5-3/4	6-1/4	3/8	5.750	5.751	6.250	6.249	0.375	0.413
XP-250-05.750-562B	5-3/4	6-1/4	9/16	5.750	5.751	6.250	6.249	0.562	0.619
XP-250-05.875-562B	5-7/8	6-3/8	9/16	5.875	5.876	6.375	6.374	0.562	0.619
XP-250-06.000-375B	6	6-1/2	3/8	6.000	6.001	6.500	6.499	0.375	0.413
XP-250-06.000-437B	6	6-1/2	7/16	6.000	6.001	6.500	6.499	0.437	0.481
XP-250-06.000-500B	6	6-1/2	1/2	6.000	6.001	6.500	6.499	0.500	0.550
XP-250-06.000-562B	6	6-1/2	9/16	6.000	6.001	6.500	6.499	0.562	0.619
XP-250-06.125-375B	6-1/8	6-5/8	3/8	6.125	6.126	6.625	6.624	0.375	0.413
XP-250-06.250-375B	6-1/4	6-3/4	3/8	6.250	6.251	6.750	6.749	0.375	0.413
XP-250-06.250-562B	6-1/4	6-3/4	9/16	6.250	6.251	6.750	6.749	0.562	0.619
XP-250-06.500-250B	6-1/2	7	1/4	6.500	6.501	7.000	6.999	0.250	0.275
XP-250-06.500-375B	6-1/2	7	3/8	6.500	6.501	7.000	6.999	0.375	0.413
XP-250-06.500-562B	6-1/2	7	9/16	6.500	6.501	7.000	6.999	0.562	0.619
XP-250-06.750-375B	6-3/4	7-1/4	3/8	6.750	6.751	7.250	7.249	0.375	0.413
XP-250-06.750-562B	6-3/4	7-1/4	9/16	6.750	6.751	7.250	7.249	0.562	0.619
XP-250-07.000-375B	7	7-1/2	3/8	7.000	7.001	7.500	7.490	0.375	0.413
XP-250-07.000-562B	7	7-1/2	9/16	7.000	7.001	7.500	7.490	0.562	0.619
XP-250-07.125-562B	7-1/8	7-5/8	9/16	7.125	7.126	7.625	7.624	0.562	0.619
XP-250-07.250-562B	7-1/4	7-3/4	9/16	7.250	7.251	7.750	7.749	0.562	0.619
XP-250-07.500-250B	7-1/2	8	1/4	7.500	7.501	8.000	7.999	0.250	0.275
XP-250-07.500-375B	7-1/2	8	3/8	7.500	7.501	8.000	7.999	0.375	0.413
XP-250-07.500-562B	7-1/2	8	9/16	7.500	7.501	8.000	7.999	0.562	0.619
XP-250-07.750-375B	7-3/4	8-1/4	3/8	7.750	7.751	8.250	8.249	0.375	0.413
XP-250-07.750-562B	7-3/4	8-1/4	9/16	7.750	7.751	8.250	8.249	0.562	0.619
XP-250-07.937-375B	7-15/16	8-7/16	3/8	7.937	7.938	8.473	8.472	0.375	0.413
XP-250-08.000-250B	8	8-1/2	1/4	8.000	8.001	8.500	8.499	0.250	0.275
XP-250-08.000-375B	8	8-1/2	3/8	8.000	8.001	8.500	8.499	0.375	0.413
XP-250-08.000-562B	8	8-1/2	9/16	8.000	8.001	8.500	8.499	0.562	0.619
XP-250-08.125-562B	8-1/8	8-5/8	9/16	8.125	8.126	8.625	8.624	0.562	0.619
XP-250-08.250-375B	8-1/4	8-3/4	3/8	8.250	8.251	8.750	8.749	0.375	0.413



XP - X-PAC® B-LIP



MFP PART NUMBER	NOMINAL SIZE			ACTUAL SIZE - ROD OR PISTON APPLICATION					
	ød1	ød2	ØD1	ød1	ød2	ØD1	ØD2	L2	L1
.250" - C/S				h9	H9	H9	h9		+0.010/-0.000
XP-250-08.250-562B	8-1/4	8-3/4	9/16	8.250	8.251	8.750	8.749	0.562	0.619
XP-250-08.375-562B	8-3/8	8-7/8	9/16	8.375	8.376	8.875	8.874	0.562	0.619
XP-250-08.500-375B	8-1/2	9	3/8	8.500	8.501	9.000	8.999	0.375	0.413
XP-250-08.500-562B	8-1/2	9	9/16	8.500	8.501	9.000	8.999	0.562	0.619
XP-250-08.750-375B	8-3/4	9-1/4	3/8	8.750	8.751	9.250	9.249	0.375	0.413
XP-250-09.000-375B	9	9-1/2	3/8	9.000	9.001	9.500	9.499	0.375	0.413
XP-250-09.000-562B	9	9-1/2	9/16	9.000	9.001	9.500	9.499	0.562	0.619
XP-250-09.500-562B	9-1/2	10	9/16	9.500	9.501	10.000	9.999	0.562	0.619
XP-250-09.625-375B	9-5/8	10-1/8	3/8	9.625	9.626	10.125	10.124	0.375	0.413
XP-250-09.750-562B	9-3/4	10-1/4	9/16	9.750	9.751	10.250	10.249	0.562	0.619
XP-250-10.000-562B	10	10-1/2	9/16	10.000	10.001	10.500	10.499	0.562	0.619
XP-250-10.500-250B	10-1/2	11	1/4	10.500	10.501	11.000	10.999	0.250	0.275
XP-250-11.500-531B	11-1/2	12	17/32	11.500	11.501	12.000	11.999	0.531	0.584
XP-250-12.000-562B	12	12-1/2	9/16	12.000	12.001	12.500	12.499	0.562	0.619
XP-250-12.500-531B	12-1/2	13	17/32	12.500	12.501	13.000	12.999	0.531	0.584
XP-250-12.750-562B	12-3/4	13-1/4	9/16	12.750	12.751	13.250	13.249	0.562	0.619
XP-250-13.500-531B	13-1/2	14	17/32	13.500	13.501	14.000	13.999	0.531	0.584
XP-250-13.500-562B	13-1/2	14	9/16	13.500	13.501	14.000	13.999	0.562	0.619
.281" - C/S				h9	H9	H9	h9		+0.010/-0.000
XP-281-02.437-375B	2-7/16	3	3/8	2.437	2.438	3.000	2.999	0.375	0.413
XP-281-03.187-500B	3-3/16	3-1/2	1/2	3.187	3.188	3.750	3.749	0.500	0.550
XP-281-05.000-281B	5	5-9/16	9/32	5.000	5.001	5.562	5.561	0.281	0.309
XP-281-05.437-562B	5-7/16	6	9/16	5.437	5.438	6.000	5.999	0.562	0.619
.312" - C/S				h9	H9	H9	h9		+0.010/-0.000
XP-312-00.750-500B	3/4	1-3/8	1/2	0.750	0.752	1.375	1.373	0.500	0.550
XP-312-00.875-562B	7/8	1-1/2	9/16	0.875	0.877	1.500	1.498	0.562	0.619
XP-312-00.937-375B	15/16	1-9/16	3/8	0.937	0.939	1.562	1.560	0.375	0.413
XP-312-01.000-375B	1	1-5/8	3/8	1.000	1.002	1.625	1.623	0.375	0.413
XP-312-01.000-500B	1	1-5/8	1/2	1.000	1.002	1.625	1.623	0.500	0.550
XP-312-01.125-312B	1-1/8	1-3/4	5/16	1.125	1.127	1.750	1.748	0.312	0.344
XP-312-01.125-375B	1-1/8	1-3/4	3/8	1.125	1.127	1.750	1.748	0.375	0.413
XP-312-01.125-500B	1-1/8	1-3/4	1/2	1.125	1.127	1.750	1.748	0.500	0.550
XP-312-01.250-312B	1-1/4	1-7/8	5/16	1.250	1.252	1.875	1.873	0.312	0.344
XP-312-01.250-375B	1-1/4	1-7/8	3/8	1.250	1.252	1.875	1.873	0.375	0.413
XP-312-01.250-500B	1-1/4	1-7/8	1/2	1.250	1.252	1.875	1.873	0.500	0.550

U-CUP SYMMETRICAL



X-PAC® Loaded B-Lip - Symmetrical U-Cup

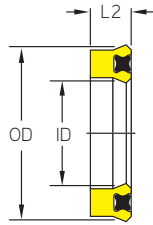
A product of MFP Seals.

MFPSEALS®

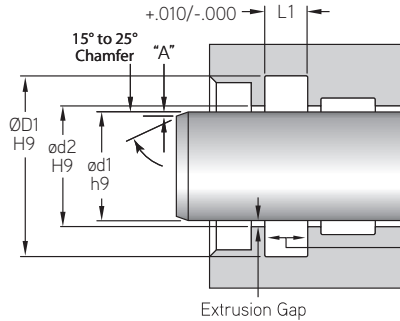
www.mfpseals.com

XP - X-PAC® B-LIP

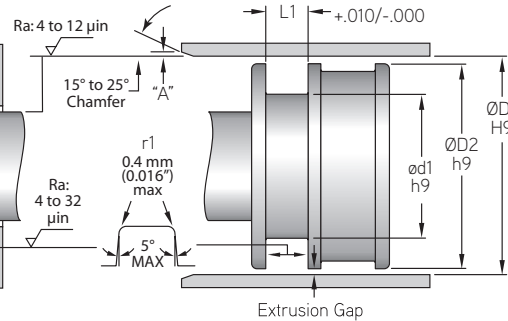
PROFILE



ROD APPLICATION



PISTON APPLICATION

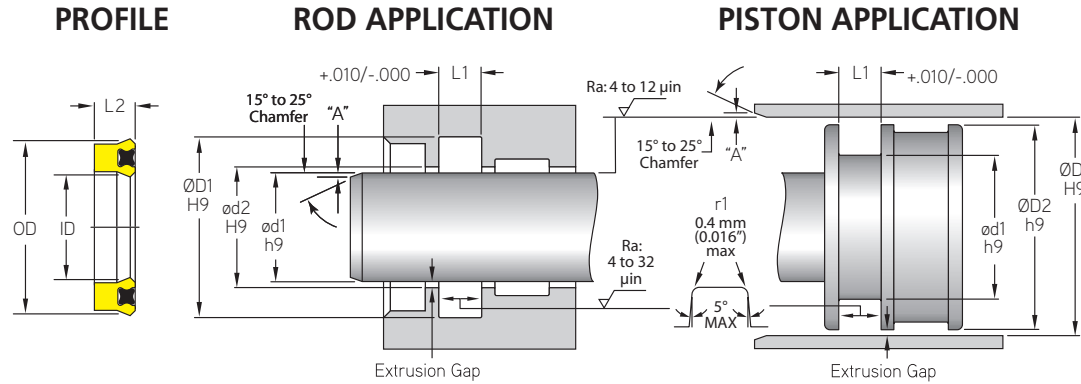


U-CUP SYMMETRICAL

MFP PART NUMBER	NOMINAL SIZE			ACTUAL SIZE - ROD OR PISTON APPLICATION					
	ød1	ød2	ØD1	ød1	ød2	ØD1	ØD2	L2	L1
.312" - C/S				h9	H9	H9	h9		+0.010/-0.000
XP-312-01.250-562B	1-1/4	1-7/8	9/16	1.250	1.252	1.875	1.873	0.562	0.619
XP-312-01.375-312B	1-3/8	2	5/16	1.375	1.377	2.000	1.998	0.312	0.344
XP-312-01.375-375B	1-3/8	2	3/8	1.375	1.377	2.000	1.998	0.375	0.413
XP-312-01.375-500B	1-3/8	2	1/2	1.375	1.377	2.000	1.998	0.500	0.550
XP-312-01.375-562B	1-3/8	2	9/16	1.375	1.377	2.000	1.998	0.562	0.619
XP-312-01.500-375B	1-1/2	2-1/8	3/8	1.500	1.502	2.125	2.123	0.375	0.413
XP-312-01.500-437B	1-1/2	2-1/8	7/16	1.500	1.502	2.125	2.123	0.437	0.483
XP-312-01.500-500B	1-1/2	2-1/8	1/2	1.500	1.502	2.125	2.123	0.500	0.550
XP-312-01.625-375B	1-5/8	2-1/4	3/8	1.625	1.627	2.250	2.248	0.375	0.413
XP-312-01.625-500B	1-5/8	2-1/4	1/2	1.625	1.627	2.250	2.248	0.500	0.550
XP-312-01.687-500B	1-11/16	2-5/16	1/2	1.687	1.689	2.312	2.310	0.500	0.550
XP-312-01.750-312B	1-3/4	2-3/8	5/16	1.750	1.752	2.375	2.373	0.312	0.344
XP-312-01.750-375B	1-3/4	2-3/8	3/8	1.750	1.752	2.375	2.373	0.375	0.413
XP-312-01.750-500B	1-3/4	2-3/8	1/2	1.750	1.752	2.375	2.373	0.500	0.550
XP-312-01.875-375B	1-7/8	2-1/2	3/8	1.875	1.877	2.500	2.498	0.375	0.413
XP-312-01.875-500B	1-7/8	2-1/2	1/2	1.875	1.877	2.500	2.498	0.500	0.550
XP-312-01.875-562B	1-7/8	2-1/2	9/16	1.875	1.877	2.500	2.498	0.562	0.619
XP-312-02.000-312B	2	2-5/8	5/16	2.000	2.002	2.625	2.623	0.312	0.344
XP-312-02.000-375B	2	2-5/8	3/8	2.000	2.002	2.625	2.623	0.375	0.413
XP-312-02.000-437B	2	2-5/8	7/16	2.000	2.002	2.625	2.623	0.437	0.483
XP-312-02.000-500B	2	2-5/8	1/2	2.000	2.002	2.625	2.623	0.500	0.550
XP-312-02.000-562B	2	2-5/8	9/16	2.000	2.002	2.625	2.623	0.562	0.619
XP-312-02.125-312B	2-1/8	2-3/4	5/16	2.125	2.127	2.750	2.748	0.312	0.344
XP-312-02.125-375B	2-1/8	2-3/4	3/8	2.125	2.127	2.750	2.748	0.375	0.413
XP-312-02.125-500B	2-1/8	2-3/4	1/2	2.125	2.127	2.750	2.748	0.500	0.550
XP-312-02.250-375B	2-1/4	2-7/8	3/8	2.250	2.252	2.875	2.873	0.375	0.413
XP-312-02.250-500B	2-1/4	2-7/8	1/2	2.250	2.252	2.875	2.873	0.500	0.550
XP-312-02.375-312B	2-3/8	3	5/16	2.375	2.377	3.000	2.998	0.312	0.344
XP-312-02.375-375B	2-3/8	3	3/8	2.375	2.377	3.000	2.998	0.375	0.413
XP-312-02.375-500B	2-3/8	3	1/2	2.375	2.377	3.000	2.998	0.500	0.550
XP-312-02.500-375B	2-1/2	3-1/8	3/8	2.500	2.502	3.125	3.123	0.375	0.413
XP-312-02.500-500B	2-1/2	3-1/8	1/2	2.500	2.502	3.125	3.123	0.500	0.550
XP-312-02.625-500B	2-5/8	3-1/4	1/2	2.625	2.627	3.250	3.248	0.500	0.550
XP-312-02.625-625B	2-5/8	3-1/4	5/8	2.625	2.627	3.250	3.248	0.625	0.688
XP-312-02.750-375B	2-3/4	3-3/8	3/8	2.750	2.752	3.375	3.373	0.375	0.413



XP - X-PAC® B-LIP



MFP PART NUMBER	NOMINAL SIZE			ACTUAL SIZE - ROD OR PISTON APPLICATION					
	ød1	ød2	ØD1	ød1	ød2	ØD1	ØD2	L2	L1
.312" - C/S				h9	H9	H9	h9		+0.010/-0.000
XP-312-02.750-500B	2-3/4	3-3/8	1/2	2.750	2.752	3.375	3.373	0.500	0.550
XP-312-02.750-625B	2-3/4	3-3/8	5/8	2.750	2.752	3.375	3.373	0.625	0.688
XP-312-02.875-312B	2-7/8	3-1/2	5/16	2.875	2.877	3.500	3.498	0.312	0.344
XP-312-02.875-375B	2-7/8	3-1/2	3/8	2.875	2.877	3.500	3.498	0.375	0.413
XP-312-02.875-500B	2-7/8	3-1/2	1/2	2.875	2.877	3.500	3.498	0.500	0.550
XP-312-02.875-562B	2-7/8	3-1/2	9/16	2.875	2.877	3.500	3.498	0.562	0.619
XP-312-03.000-312B	3	3-5/8	5/16	3.000	3.002	3.625	3.623	0.312	0.344
XP-312-03.000-375B	3	3-5/8	3/8	3.000	3.002	3.625	3.623	0.375	0.413
XP-312-03.000-500B	3	3-5/8	1/2	3.000	3.002	3.625	3.623	0.500	0.550
XP-312-03.125-312B	3-1/8	3-3/4	5/16	3.125	3.127	3.750	3.748	0.312	0.344
XP-312-03.125-500B	3-1/8	3-3/4	1/2	3.125	3.127	3.750	3.748	0.500	0.550
XP-312-03.250-500B	3-1/4	3-7/8	1/2	3.250	3.252	3.875	3.873	0.500	0.550
XP-312-03.375-500B	3-3/8	4	1/2	3.375	3.377	4.000	3.998	0.500	0.550
XP-312-03.375-562B	3-3/8	4	9/16	3.375	3.377	4.000	3.998	0.562	0.619
XP-312-03.375-625B	3-3/8	4	5/8	3.375	3.377	4.000	3.998	0.625	0.688
XP-312-03.500-500B	3-1/2	4-1/8	1/2	3.500	3.502	4.125	4.123	0.500	0.550
XP-312-03.625-375B	3-5/8	4-1/4	3/8	3.625	3.627	4.250	4.248	0.375	0.413
XP-312-03.625-500B	3-5/8	4-1/4	1/2	3.625	3.627	4.250	4.248	0.500	0.550
XP-312-03.750-312B	3-3/4	4-3/8	5/16	3.750	3.752	4.375	4.373	0.312	0.344
XP-312-03.750-375B	3-3/4	4-3/8	3/8	3.750	3.752	4.375	4.373	0.375	0.413
XP-312-03.750-500B	3-3/4	4-3/8	1/2	3.750	3.752	4.375	4.373	0.500	0.550
XP-312-03.750-625B	3-3/4	4-3/8	5/8	3.750	3.752	4.375	4.373	0.625	0.688
XP-312-03.875-500B	3-7/8	4-1/2	1/2	3.875	3.877	4.500	4.498	0.500	0.550
XP-312-04.000-375B	4	4-5/8	3/8	4.000	4.002	4.625	4.623	0.375	0.413
XP-312-04.000-562B	4	4-5/8	9/16	4.000	4.002	4.625	4.623	0.562	0.619
XP-312-04.125-500B	4-1/8	4-3/4	1/2	4.125	4.127	4.750	4.748	0.500	0.550
XP-312-04.125-562B	4-1/8	4-3/4	9/16	4.125	4.127	4.750	4.748	0.562	0.619
XP-312-04.250-437B	4-1/4	4-7/8	7/16	4.250	4.252	4.875	4.873	0.437	0.483
XP-312-04.250-562B	4-1/4	4-7/8	9/16	4.250	4.252	4.875	4.873	0.562	0.619
XP-312-04.375-312B	4-3/8	5	5/16	4.375	4.377	5.000	4.998	0.312	0.344
XP-312-04.375-375B	4-3/8	5	3/8	4.375	4.377	5.000	4.998	0.375	0.413
XP-312-04.375-500B	4-3/8	5	1/2	4.375	4.377	5.000	4.998	0.500	0.550
XP-312-04.375-562B	4-3/8	5	9/16	4.375	4.377	5.000	4.998	0.562	0.619
XP-312-04.500-500B	4-1/2	5-1/8	1/2	4.500	4.502	5.125	5.123	0.500	0.550
XP-312-04.500-625B	4-1/2	5-1/8	5/8	4.500	4.502	5.125	5.123	0.625	0.688

U-CUP SYMMETRICAL



X-PAC® Loaded B-Lip - Symmetrical U-Cup

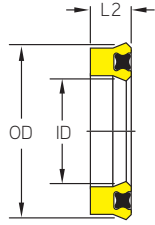
A product of MFP Seals.

MFPSEALS®

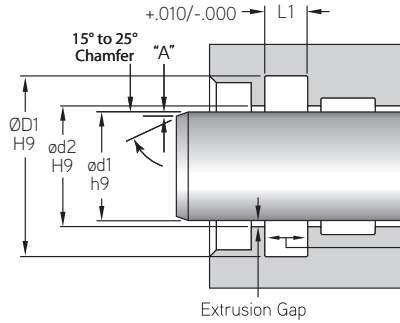
www.mfpseals.com

XP - X-PAC® B-LIP

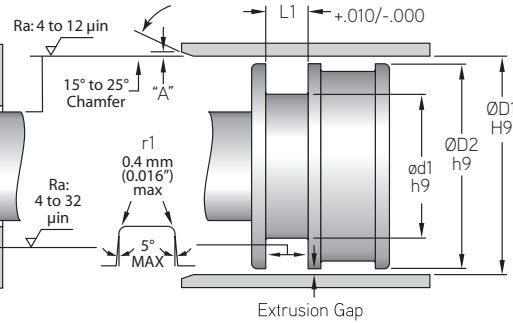
PROFILE



ROD APPLICATION



PISTON APPLICATION

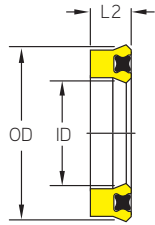


U-CUP SYMMETRICAL

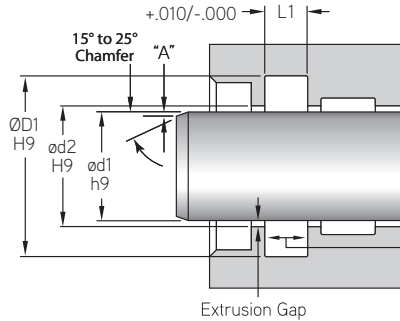
MFP PART NUMBER	NOMINAL SIZE			ACTUAL SIZE - ROD OR PISTON APPLICATION					
	ød1	ød2	ØD1	ød1	ød2	ØD1	ØD2	L2	L1
.312" - C/S				h9	H9	H9	h9		+.010/-0.000
XP-312-04.625-625B	4-5/8	5-1/4	5/8	4.625	4.627	5.250	5.248	0.625	0.688
XP-312-04.750-500B	4-3/4	5-3/8	1/2	4.750	4.752	5.375	5.373	0.500	0.550
XP-312-04.750-625B	4-3/4	5-3/8	5/8	4.750	4.752	5.375	5.373	0.625	0.688
XP-312-05.000-375B	5	5-5/8	3/8	5.000	5.002	5.625	5.623	0.375	0.413
XP-312-05.000-625B	5	5-5/8	5/8	5.000	5.002	5.625	5.623	0.625	0.688
XP-312-05.250-625B	5-1/4	5-7/8	5/8	5.250	5.252	5.875	5.873	0.625	0.688
XP-312-05.375-312B	5-3/8	6	5/16	5.375	5.377	6.000	5.998	0.312	0.344
XP-312-05.375-375B	5-3/8	6	3/8	5.375	5.377	6.000	5.998	0.375	0.413
XP-312-05.375-625B	5-3/8	6	5/8	5.375	5.377	6.000	5.998	0.625	0.688
XP-312-05.500-312B	5-1/2	6-1/8	5/16	5.500	5.502	6.125	6.123	0.312	0.344
XP-312-05.500-375B	5-1/2	6-1/8	3/8	5.500	5.502	6.125	6.123	0.375	0.413
XP-312-05.500-500B	5-1/2	6-1/8	1/2	5.500	5.502	6.125	6.123	0.500	0.550
XP-312-05.500-625B	5-1/2	6-1/8	5/8	5.500	5.502	6.125	6.123	0.625	0.688
XP-312-05.750-625B	5-3/4	6-3/8	5/8	5.750	5.752	6.375	6.373	0.625	0.688
XP-312-05.875-375B	5-7/8	6-1/2	3/8	5.875	5.877	6.500	6.498	0.375	0.413
XP-312-06.000-625B	6	6-5/8	5/8	6.000	6.002	6.625	6.623	0.625	0.688
XP-312-06.375-312B	6-3/8	7	5/16	6.375	6.377	7.000	6.998	0.312	0.344
XP-312-06.375-625B	6-3/8	7	5/8	6.375	6.377	7.000	6.998	0.625	0.688
XP-312-06.500-625B	6-1/2	7-1/8	5/8	6.500	6.502	7.125	7.123	0.625	0.688
XP-312-06.625-625B	6-5/8	7-1/4	5/8	6.625	6.627	7.250	7.248	0.625	0.688
XP-312-07.000-625B	7	7-5/8	5/8	7.000	7.002	7.625	7.623	0.625	0.688
XP-312-07.250-625B	7-1/4	7-7/8	5/8	7.250	7.252	7.875	7.873	0.625	0.688
XP-312-07.375-312B	7-3/8	8	5/16	7.375	7.377	8.000	7.998	0.312	0.344
XP-312-07.375-625B	7-3/8	8	5/8	7.375	7.377	8.000	7.998	0.625	0.688
XP-312-08.000-625B	8	8-5/8	5/8	8.000	8.002	8.625	8.623	0.625	0.688
XP-312-09.250-625B	9-1/4	9-7/8	5/8	9.250	9.252	9.875	9.873	0.625	0.688
XP-312-10.750-375B	10-3/4	11-3/8	3/8	10.750	10.752	11.375	11.373	0.375	0.413
.375" - C/S				h9	H9	H9	h9		+.010/-0.000
XP-375-00.812-375B	13/16	1-9/16	3/8	0.812	0.815	1.562	1.560	0.375	0.413
XP-375-01.125-625B	1-1/8	1-7/8	5/8	1.125	1.127	1.875	1.873	0.625	0.688
XP-375-01.250-375B	1 1/4	2	3/8	1.250	1.252	2.000	1.998	0.375	0.413
XP-375-01.250-500B	1 1/4	2	1/2	1.250	1.252	2.000	1.998	0.500	0.550
XP-375-01.250-625B	1-1/4	2	5/8	1.250	1.252	2.000	1.998	0.625	0.688
XP-375-01.500-375B	1-1/2	2-3/4	3/8	1.500	1.502	2.250	2.248	0.375	0.413
XP-375-01.500-500B	1-1/2	2-1/4	1/2	1.500	1.502	2.250	2.248	0.500	0.550



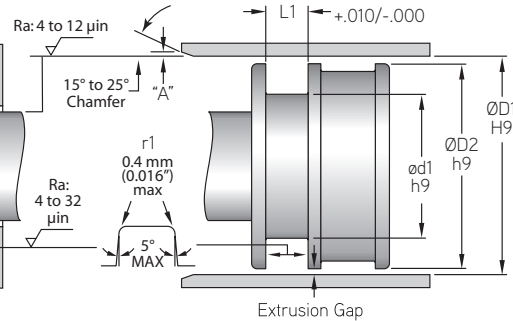
PROFILE



ROD APPLICATION



PISTON APPLICATION



MFP PART NUMBER	NOMINAL SIZE			ACTUAL SIZE - ROD OR PISTON APPLICATION					
	ød1	ød2	ØD1	ød1	ød2	ØD1	ØD2	L2	L1
.375" - C/S				h9	H9	H9	h9		+0.010/-0.000
XP-375-01.500-625B	1-1/2	2-1/4	5/8	1.500	1.502	2.250	2.248	0.625	0.688
XP-375-01.625-375B	1-5/8	2-3/8	3/8	1.625	1.627	2.375	2.373	0.375	0.413
XP-375-01.625-625B	1-5/8	2-3/8	5/8	1.625	1.627	2.375	2.373	0.625	0.688
XP-375-01.750-375B	1-3/4	2-1/2	3/8	1.750	1.752	2.500	2.498	0.375	0.413
XP-375-01.750-500B	1-3/4	2-1/2	1/2	1.750	1.752	2.500	2.498	0.500	0.550
XP-375-01.750-625B	1-3/4	2-1/2	5/8	1.750	1.752	2.500	2.498	0.625	0.688
XP-375-02.000-375B	2	2-3/4	3/8	2.000	2.002	2.750	2.748	0.375	0.413
XP-375-02.000-437B	2	2-3/4	7/16	2.000	2.002	2.750	2.748	0.437	0.483
XP-375-02.000-500B	2	2-3/4	1/2	2.000	2.002	2.750	2.748	0.500	0.550
XP-375-02.000-625B	2	2-3/4	5/8	2.000	2.002	2.750	2.748	0.625	0.688
XP-375-02.125-625B	2-1/8	2-7/8	5/8	2.125	2.127	2.875	2.873	0.625	0.688
XP-375-02.187-625B	2-3/16	2-15/16	5/8	2.187	2.189	2.937	2.935	0.625	0.688
XP-375-02.250-375B	2-1/4	3	3/8	2.250	2.252	3.000	2.998	0.375	0.413
XP-375-02.250-500B	2-1/4	3	1/2	2.250	2.252	3.000	2.998	0.500	0.550
XP-375-02.250-625B	2-1/4	3	5/8	2.250	2.252	3.000	2.998	0.625	0.688
XP-375-02.375-375B	2-3/8	3-1/8	3/8	2.375	2.377	3.125	3.123	0.375	0.413
XP-375-02.375-500B	2-3/8	3-1/8	1/2	2.375	2.377	3.125	3.123	0.500	0.550
XP-375-02.375-625B	2-3/8	3-1/8	5/8	2.375	2.377	3.125	3.123	0.625	0.688
XP-375-02.500-375B	2-1/2	3-3/4	3/8	2.500	2.502	3.250	3.248	0.375	0.413
XP-375-02.500-500B	2-1/2	3-1/4	1/2	2.500	2.502	3.250	3.248	0.500	0.550
XP-375-02.500-625B	2-1/2	3-1/4	5/8	2.500	2.502	3.250	3.248	0.625	0.688
XP-375-02.625-562B	2-5/8	3-3/8	9/16	2.625	2.627	3.375	3.373	0.562	0.619
XP-375-02.625-625B	2-5/8	3-3/8	5/8	2.625	2.627	3.375	3.373	0.625	0.688
XP-375-02.750-375B	2-3/4	3-1/2	3/8	2.750	2.752	3.500	3.498	0.375	0.413
XP-375-02.750-480B	2-3/4	3-1/2	0.480	2.750	2.752	3.500	3.498	0.480	0.528
XP-375-02.750-500B	2-3/4	3-1/2	1/2	2.750	2.752	3.500	3.498	0.500	0.550
XP-375-02.750-625B	2-3/4	3-1/2	5/8	2.750	2.752	3.500	3.498	0.625	0.688
XP-375-02.875-500B	2-7/8	3-5/8	1/2	2.875	2.877	3.625	3.623	0.500	0.550
XP-375-02.875-625B	2-7/8	3-5/8	5/8	2.875	2.877	3.625	3.623	0.625	0.688
XP-375-03.000-375B	3	3-3/4	3/8	3.000	3.002	3.750	3.748	0.375	0.413
XP-375-03.000-500B	3	3-3/4	1/2	3.000	3.002	3.750	3.748	0.500	0.550
XP-375-03.000-625B	3	3-3/4	5/8	3.000	3.002	3.750	3.748	0.625	0.688
XP-375-03.125-375B	3-1/8	3-7/8	3/8	3.125	3.127	3.875	3.873	0.375	0.413
XP-375-03.125-625B	3-1/8	3-7/8	5/8	3.125	3.127	3.875	3.873	0.625	0.688
XP-375-03.250-440B	3-1/4	4	0.440	3.250	3.252	4.000	3.998	0.440	0.484



X-PAC® Loaded B-Lip - Symmetrical U-Cup

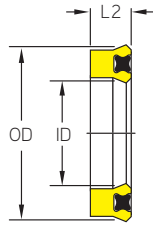
A product of MFP Seals.

MFPSEALS®

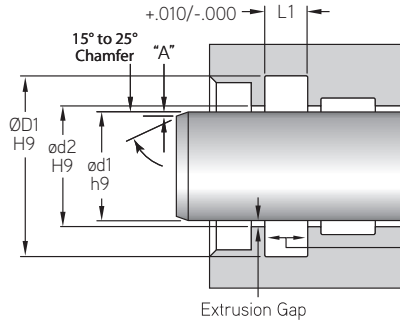
www.mfpseals.com

XP - X-PAC® B-LIP

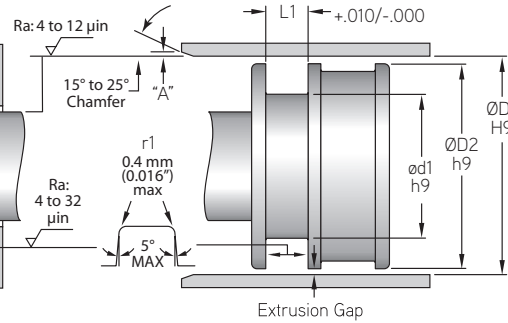
PROFILE



ROD APPLICATION



PISTON APPLICATION

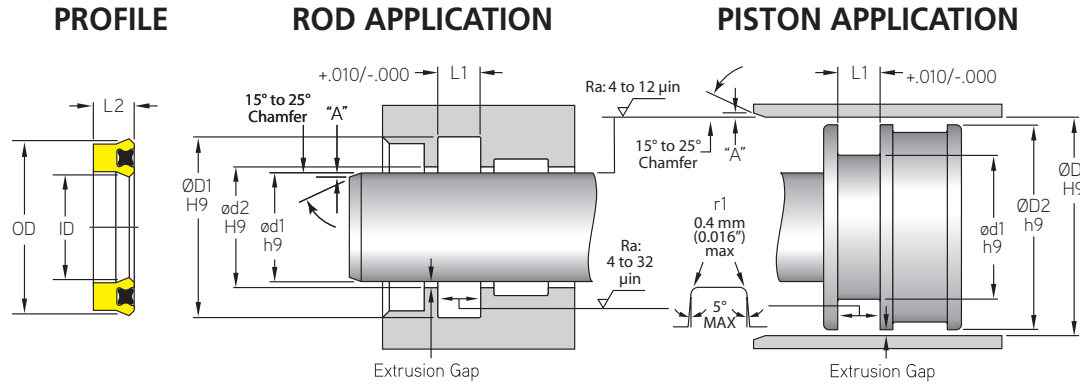


U-CUP SYMMETRICAL

MFP PART NUMBER	NOMINAL SIZE			ACTUAL SIZE - ROD OR PISTON APPLICATION					
	ød1	ød2	ØD1	ød1	ød2	ØD1	ØD2	L2	L1
.375" - C/S				h9	H9	H9	h9		+0.010/-0.000
XP-375-03.250-500B	3-1/4	4	1/2	3.250	3.252	4.000	3.998	0.500	0.550
XP-375-03.250-562B	3-1/4	4	9/16	3.250	3.252	4.000	3.998	0.562	0.619
XP-375-03.250-625B	3-1/4	4	5/8	3.250	3.252	4.000	3.998	0.625	0.688
XP-375-03.375-625B	3-3/8	4-1/8	5/8	3.375	3.377	4.125	4.123	0.625	0.688
XP-375-03.500-500B	3-1/2	4-1/8	1/2	3.500	3.502	4.250	4.248	0.500	0.550
XP-375-03.500-625B	3-1/2	4-1/4	5/8	3.500	3.502	4.250	4.248	0.625	0.688
XP-375-03.625-500B	3-5/8	4-3/8	1/2	3.625	3.627	4.375	4.373	0.500	0.550
XP-375-03.625-562B	3-5/8	4-3/8	9/16	3.625	3.627	4.375	4.373	0.562	0.619
XP-375-03.625-625B	3-5/8	4-3/8	5/8	3.625	3.627	4.375	4.373	0.625	0.688
XP-375-03.750-375B	3-3/4	4-1/2	3/8	3.750	3.752	4.500	4.498	0.375	0.413
XP-375-03.750-460B	3-3/4	4-1/2	0.460	3.750	3.752	4.500	4.498	0.460	0.506
XP-375-03.750-480B	3-3/4	4-1/2	0.480	3.750	3.752	4.500	4.498	0.480	0.528
XP-375-03.750-500B	3-3/4	4-1/2	1/2	3.750	3.752	4.500	4.498	0.500	0.550
XP-375-03.750-625B	3-3/4	4-1/2	5/8	3.750	3.752	4.500	4.498	0.625	0.688
XP-375-03.875-625B	3-7/8	4-5/8	5/8	3.875	3.877	4.625	4.623	0.625	0.688
XP-375-04.000-500B	4	4-3/4	1/2	4.000	4.002	4.750	4.748	0.500	0.550
XP-375-04.000-625B	4	4-3/4	5/8	4.000	4.002	4.750	4.748	0.625	0.688
XP-375-04.125-625B	4-1/8	4-7/8	5/8	4.125	4.127	4.875	4.873	0.625	0.688
XP-375-04.250-375B	4-1/4	5	3/8	4.250	4.252	5.000	4.998	0.375	0.413
XP-375-04.250-500B	4-1/4	5	1/2	4.250	4.252	5.000	4.998	0.500	0.550
XP-375-04.250-625B	4-1/4	5	5/8	4.250	4.252	5.000	4.998	0.625	0.688
XP-375-04.375-500B	4-3/8	5-1/8	1/2	4.375	4.377	5.125	5.123	0.500	0.550
XP-375-04.375-625B	4-3/8	5-1/8	5/8	4.375	4.377	5.125	5.123	0.625	0.688
XP-375-04.500-375B	4-1/2	5-1/4	3/8	4.500	4.502	5.250	5.248	0.375	0.413
XP-375-04.500-500B	4-1/2	5-1/4	1/2	4.500	4.502	5.250	5.248	0.500	0.550
XP-375-04.500-625B	4-1/2	5-1/4	5/8	4.500	4.502	5.250	5.248	0.625	0.688
XP-375-04.625-625B	4-5/8	5-3/8	5/8	4.625	4.627	5.375	5.373	0.625	0.688
XP-375-04.750-375B	4-3/4	5-1/2	3/8	4.750	4.752	5.500	5.498	0.375	0.413
XP-375-04.750-500B	4-3/4	5-1/2	1/2	4.750	4.752	5.500	5.498	0.500	0.550
XP-375-04.750-625B	4-3/4	5-1/2	5/8	4.750	4.752	5.500	5.498	0.625	0.688
XP-375-04.875-375B	4-7/8	5-5/8	3/8	4.875	4.877	5.625	5.623	0.375	0.413
XP-375-04.875-625B	4-7/8	5-5/8	5/8	4.875	4.877	5.625	5.623	0.625	0.688
XP-375-05.000-375B	5	5-3/4	3/8	5.000	5.002	5.750	5.748	0.375	0.413
XP-375-05.000-500B	5	5-3/4	1/2	5.000	5.002	5.750	5.748	0.500	0.550
XP-375-05.000-625B	5	5-3/4	5/8	5.000	5.002	5.750	5.748	0.625	0.688



XP - X-PAC® B-LIP



MFP PART NUMBER	NOMINAL SIZE			ACTUAL SIZE - ROD OR PISTON APPLICATION					
	ød1	ød2	ØD1	ød1	ød2	ØD1	ØD2	L2	L1
.375" - C/S				h9	H9	H9	h9		+0.010/-0.000
XP-375-05.125-625B	5-1/8	5-7/8	5/8	5.125	5.127	5.875	5.873	0.625	0.688
XP-375-05.250-375B	5-1/4	6	3/8	5.250	5.252	6.000	5.998	0.375	0.413
XP-375-05.250-500B	5-1/4	6	1/2	5.250	5.252	6.000	5.998	0.500	0.550
XP-375-05.250-562B	5-1/4	6	9/16	5.250	5.252	6.000	5.998	0.562	0.619
XP-375-05.250-625B	5-1/4	6	5/8	5.250	5.252	6.000	5.998	0.625	0.688
XP-375-05.375-625B	5-3/8	6-1/8	5/8	5.375	5.377	6.125	6.123	0.625	0.688
XP-375-05.500-375B	5-1/2	6-1/4	3/8	5.500	5.502	6.250	6.248	0.375	0.413
XP-375-05.500-500B	5-1/2	6-1/4	1/2	5.500	5.502	6.250	6.248	0.500	0.550
XP-375-05.500-625B	5-1/2	6-1/4	5/8	5.500	5.502	6.250	6.248	0.625	0.688
XP-375-05.750-625B	5-3/4	6-1/2	5/8	5.750	5.752	6.500	6.498	0.625	0.688
XP-375-05.875-625B	5-7/8	6-5/8	5/8	5.875	5.877	6.625	6.623	0.625	0.688
XP-375-06.000-375B	6	6-3/4	3/8	6.000	6.002	6.750	6.748	0.375	0.413
XP-375-06.000-500B	6	6-3/4	1/2	6.000	6.002	6.750	6.748	0.500	0.550
XP-375-06.000-562B	6	6-3/4	9/16	6.000	6.002	6.750	6.748	0.562	0.619
XP-375-06.000-625B	6	6-3/4	5/8	6.000	6.002	6.750	6.748	0.625	0.688
XP-375-06.250-375B	6-1/4	7	3/8	6.250	6.252	7.000	6.998	0.375	0.413
XP-375-06.250-500B	6-1/4	7	1/2	6.250	6.252	7.000	6.998	0.500	0.550
XP-375-06.250-625B	6-1/4	7	5/8	6.250	6.252	7.000	6.998	0.625	0.688
XP-375-06.500-375B	6-1/2	7-1/4	3/8	6.500	6.502	7.250	7.248	0.375	0.413
XP-375-06.500-500B	6-1/2	7-1/4	1/2	6.500	6.502	7.250	7.248	0.500	0.550
XP-375-06.500-625B	6-1/2	7-1/4	5/8	6.500	6.502	7.250	7.248	0.625	0.688
XP-375-06.750-625B	6-3/4	7-1/2	5/8	6.750	6.752	7.500	7.498	0.625	0.688
XP-375-06.875-625B	6-7/8	7-5/8	5/8	6.875	6.877	7.625	7.623	0.625	0.688
XP-375-07.000-500B	7	7-3/4	1/2	7.000	7.002	7.750	7.748	0.500	0.550
XP-375-07.000-625B	7	7-3/4	5/8	7.000	7.002	7.750	7.748	0.625	0.688
XP-375-07.250-375B	7-1/4	8	3/8	7.250	7.252	8.000	7.998	0.375	0.413
XP-375-07.250-500B	7-1/4	8	1/2	7.250	7.252	8.000	7.998	0.500	0.550
XP-375-07.250-625B	7-1/4	8	5/8	7.250	7.252	8.000	7.998	0.625	0.688
XP-375-07.500-500B	7-1/2	8-1/4	1/2	7.500	7.502	8.250	8.248	0.500	0.550
XP-375-07.500-625B	7-1/2	8-1/4	5/8	7.500	7.502	8.250	8.248	0.625	0.688
XP-375-07.750-375B	7-3/4	8-1/2	3/8	7.750	7.752	8.500	8.498	0.375	0.413
XP-375-07.750-500B	7-3/4	8-1/2	1/2	7.750	7.752	8.500	8.498	0.500	0.550
XP-375-07.750-625B	7-3/4	8-1/2	5/8	7.750	7.752	8.500	8.498	0.625	0.688
XP-375-08.000-500B	8	8-3/4	1/2	8.000	8.002	8.750	8.748	0.500	0.550
XP-375-08.000-625B	8	8-3/4	5/8	8.000	8.002	8.750	8.748	0.625	0.688

U-CUP SYMMETRICAL



X-PAC® Loaded B-Lip - Symmetrical U-Cup

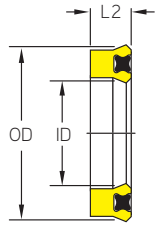
A product of MFP Seals.

MFPSEALS®

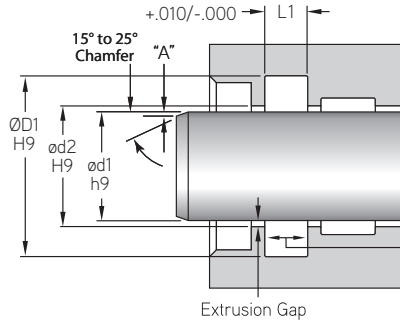
www.mfpseals.com

XP - X-PAC® B-LIP

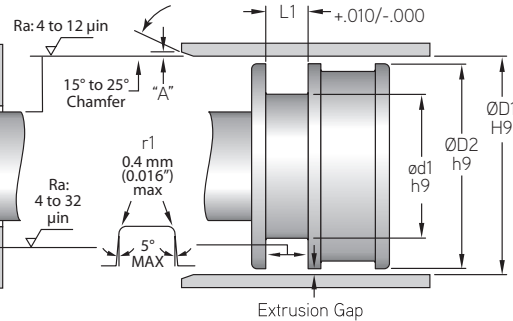
PROFILE



ROD APPLICATION

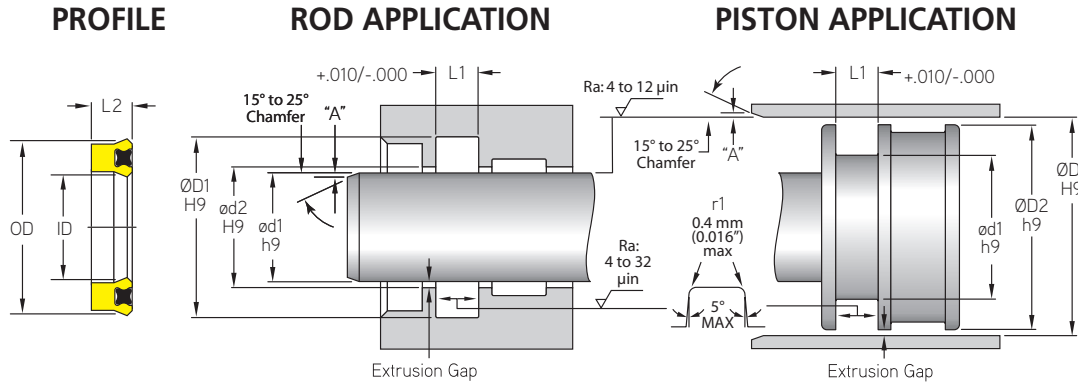


PISTON APPLICATION



U-CUP SYMMETRICAL

MFP PART NUMBER	NOMINAL SIZE			ACTUAL SIZE - ROD OR PISTON APPLICATION					
	ød1	ød2	ØD1	ød1	ød2	ØD1	ØD2	L2	L1
.375" - C/S				h9	H9	H9	h9		+0.010/-0.000
XP-375-08.125-375B	8-1/8	8-7/8	3/8	8.125	8.127	8.875	8.873	0.375	0.413
XP-375-08.250-625B	8-1/4	9	5/8	8.250	8.252	9.000	8.998	0.625	0.688
XP-375-08.500-500B	8-1/2	9-1/4	1/2	8.500	8.502	9.250	9.248	0.500	0.550
XP-375-08.500-625B	8-1/2	9-1/4	5/8	8.500	8.502	9.250	9.248	0.625	0.688
XP-375-08.750-500B	8-3/4	9-1/2	1/2	8.750	8.752	9.500	9.498	0.500	0.550
XP-375-08.750-625B	8-3/4	9-1/2	5/8	8.750	8.752	9.500	9.498	0.625	0.688
XP-375-09.000-375B	9	9 3/4	3/8	9.000	9.002	9.750	9.748	0.375	0.413
XP-375-09.000-625B	9	9-3/4	5/8	9.000	9.002	9.750	9.748	0.625	0.688
XP-375-09.250-500B	9-1/4	10	1/2	9.250	9.252	10.000	9.998	0.500	0.550
XP-375-09.250-625B	9-1/4	10	5/8	9.250	9.252	10.000	9.998	0.625	0.688
XP-375-09.500-625B	9-1/2	10-1/4	5/8	9.500	9.502	10.250	10.248	0.625	0.688
XP-375-09.750-625B	9-3/4	10-1/2	5/8	9.750	9.752	10.500	10.498	0.625	0.688
XP-375-10.000-625B	10	10-3/4	5/8	10.000	10.002	10.750	10.748	0.625	0.688
XP-375-10.250-500B	10-1/4	11	1/2	10.250	10.252	11.000	10.998	0.500	0.550
XP-375-10.500-375B	10 1/2	11 1/4	3/8	10.500	10.502	11.250	11.248	0.375	0.413
XP-375-10.500-625B	10-1/2	11-1/4	5/8	10.500	10.502	11.250	11.248	0.625	0.688
XP-375-10.750-625B	10-3/4	11-1/2	5/8	10.750	10.752	11.500	11.498	0.625	0.688
XP-375-11.000-625B	11	11-3/4	5/8	11.000	11.002	11.750	11.748	0.625	0.688
XP-375-11.250-625B	11-1/4	12	5/8	11.250	11.252	12.000	11.998	0.625	0.688
XP-375-11.500-625B	11-1/2	12-1/4	5/8	11.500	11.502	12.250	12.248	0.625	0.688
XP-375-11.750-625B	11-3/4	12-1/2	5/8	11.750	11.752	12.500	12.498	0.625	0.688
XP-375-12.000-625B	12	12-3/4	5/8	12.000	12.002	12.750	12.748	0.625	0.688
XP-375-12.750-625B	12-3/4	13-1/2	5/8	12.750	12.752	13.500	13.498	0.625	0.688
XP-375-13.250-625B	13-1/4	14	5/8	13.250	13.252	14.000	13.998	0.625	0.688
XP-375-13.625-625B	13-5/8	14-3/8	5/8	13.625	13.627	14.375	14.373	0.625	0.688
XP-375-14.000-625B	14	14-3/4	5/8	14.000	14.002	14.750	14.748	0.625	0.688
XP-375-14.250-625B	14-1/4	15	5/8	14.250	14.252	15.000	14.998	0.625	0.688
XP-375-14.375-625B	14-3/8	15-1/8	5/8	14.375	14.377	15.125	15.123	0.625	0.688
XP-375-14.750-625B	14-3/4	15-1/2	5/8	14.750	14.752	15.500	15.498	0.625	0.688
XP-375-15.250-625B	15-1/4	16	5/8	15.250	15.252	16.000	15.998	0.625	0.688
XP-375-18.500-500B	18-1/2	19-1/4	1/2	18.500	18.502	19.250	19.248	0.500	0.550
XP-375-27.750-625B	27-3/4	28-1/2	5/8	27.750	27.752	28.500	28.498	0.625	0.688
XP-375-30.250-625B	30-1/4	31	5/8	30.250	30.252	31.000	30.998	0.625	0.688
XP-375-35.000-625B	35	35-3/4	5/8	35.000	35.002	35.750	35.748	0.625	0.688
XP-375-40.250-625B	40-1/4	41	5/8	40.250	40.252	41.000	40.998	0.625	0.688



MFP PART NUMBER	NOMINAL SIZE			ACTUAL SIZE - ROD OR PISTON APPLICATION					
	ød1	ød2	ØD1	ød1	ød2	ØD1	ØD2	L2	L1
.406" - C/S				h9	H9	H9	h9		+0.010/-0.000
XP-406-08.500-500B	8-1/2	9-5/16	1/2	8.500	8.502	9.312	9.310	0.500	0.550
.437" - C/S				h9	H9	H9	h9		+0.010/-0.000
XP-437-03.000-690B	3	3-7/8	11/16	3.000	3.002	3.875	3.873	0.690	0.759
XP-437-03.375-1000B	3-3/8	4-1/4	1	3.375	3.377	4.250	4.248	1.000	1.100
XP-437-03.875-750B	3-7/8	4-3/4	3/4	3.875	3.877	4.750	4.748	0.750	0.825
XP-437-04.000-750B	4	4-7/8	3/4	4.000	4.002	4.875	4.873	0.750	0.825
XP-437-04.500-750B	4-1/2	5-3/8	3/4	4.500	4.502	5.375	5.373	0.750	0.825
XP-437-04.750-750B	4-3/4	5-5/8	3/4	4.750	4.752	5.625	5.623	0.750	0.825
XP-437-05.500-500B	5-1/2	6-3/8	1/2	5.500	5.502	6.375	6.373	0.500	0.550
XP-437-07.500-500B	7-3/4	8-3/8	1/2	7.500	7.502	8.375	8.373	0.500	0.550
XP-437-10.625-625B	10-5/8	11-1/4	5/8	10.625	10.627	11.500	11.498	0.625	0.688
XP-437-13.125-437B	13-1/8	14	7/16	13.125	13.127	14.000	13.998	0.437	0.483
.500" - C/S				h9	H9	H9	h9		+0.010/-0.000
XP-500-01.250-750B	1-1/4	2-1/4	3/4	1.250	1.252	2.250	2.248	0.750	0.825
XP-500-01.750-750B	1-3/4	2-3/4	3/4	1.750	1.752	2.750	2.748	0.750	0.825
XP-500-01.875-625B	1-7/8	2-7/8	5/8	1.875	1.877	2.875	2.873	0.625	0.688
XP-500-02.000-500B	2	3	1/2	2.000	2.002	3.000	2.998	0.500	0.550
XP-500-02.000-750B	2	3	3/4	2.000	2.002	3.000	2.998	0.750	0.825
XP-500-02.375-500B	2-3/8	3-3/8	1/2	2.375	2.377	3.375	3.373	0.500	0.550
XP-500-02.500-500B	2-1/2	3-1/2	1/2	2.500	2.502	3.500	3.498	0.500	0.550
XP-500-02.500-750B	2-1/2	3-1/2	3/4	2.500	2.502	3.500	3.498	0.750	0.825
XP-500-02.750-750B	2-3/4	3-3/4	3/4	2.750	2.752	3.750	3.748	0.750	0.825
XP-500-03.000-500B	3	4	1/2	3.000	3.002	4.000	3.998	0.500	0.550
XP-500-03.000-625B	3	4	5/8	3.000	3.002	4.000	3.998	0.625	0.688
XP-500-03.000-750B	3	4	3/4	3.000	3.002	4.000	3.998	0.750	0.825
XP-500-03.000-875B	3	4	7/8	3.000	3.002	4.000	3.998	0.875	0.963
XP-500-03.250-1000B	3-1/4	4-1/4	1	3.250	3.252	4.250	4.248	1.000	1.100
XP-500-03.250-750B	3-1/4	4-1/4	3/4	3.250	3.252	4.250	4.248	0.750	0.825
XP-500-03.375-625B	3-3/8	4-3/8	5/8	3.375	3.377	4.375	4.373	0.625	0.688
XP-500-03.500-500B	3-1/2	4-1/2	1/2	3.500	3.502	4.500	4.498	0.500	0.550
XP-500-03.500-750B	3-1/2	4-1/2	3/4	3.500	3.502	4.500	4.498	0.750	0.825
XP-500-03.750-690B	3-3/4	4-3/4	11/16	3.750	3.752	4.750	4.748	0.690	0.759
XP-500-04.000-500B	4	5	1/2	4.000	4.002	5.000	4.998	0.500	0.550
XP-500-04.000-625B	3-3/4	4-3/4	5/8	4.000	4.002	5.000	4.998	0.625	0.688
XP-500-04.000-675B	4	5	43/64	4.000	4.002	5.000	4.998	0.675	0.743



X-PAC® Loaded B-Lip - Symmetrical U-Cup

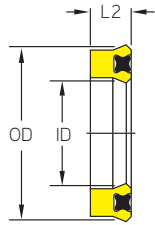
A product of MFP Seals.

MFPSEALS®

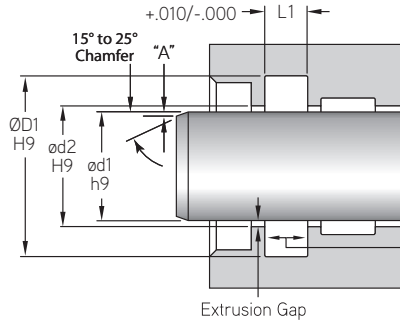
www.mfpseals.com

XP - X-PAC® B-LIP

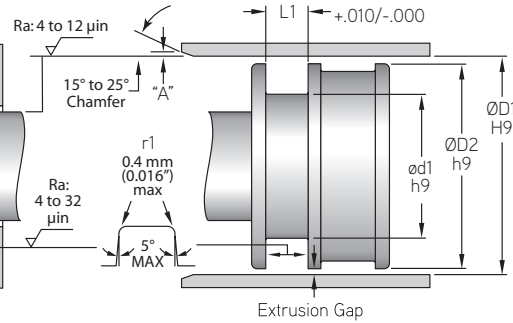
PROFILE



ROD APPLICATION



PISTON APPLICATION

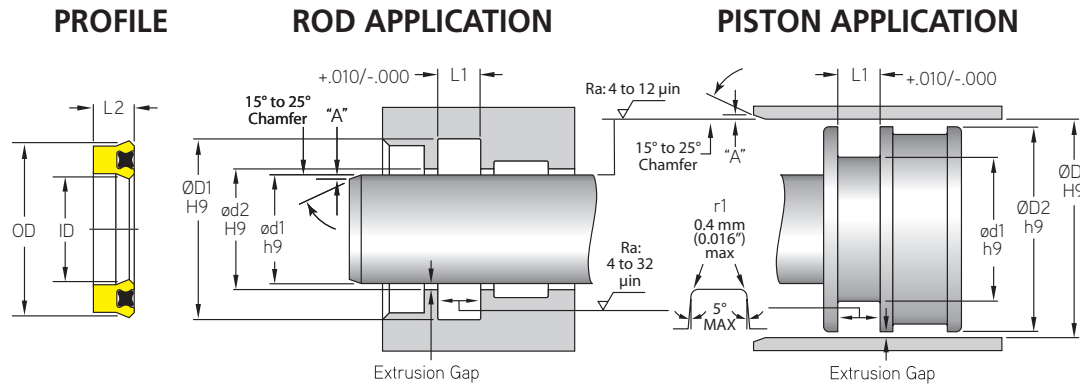


U-CUP SYMMETRICAL

MFP PART NUMBER	NOMINAL SIZE			ACTUAL SIZE - ROD OR PISTON APPLICATION					
	ød1	ød2	ØD1	ød1	ød2	ØD1	ØD2	L2	L1
.500" - C/S				h9	H9	H9	h9		+0.010/-0.000
XP-500-04.000-750B	4	5	3/4	4.000	4.002	5.000	4.998	0.750	0.825
XP-500-04.250-750B	4-1/4	5-1/4	3/4	4.250	4.252	5.250	5.248	0.750	0.825
XP-500-04.375-750B	4-3/8	5-3/8	3/4	4.375	4.377	5.375	5.373	0.750	0.825
XP-500-04.500-500B	4-1/2	5-1/2	1/2	4.500	4.502	5.500	5.498	0.500	0.550
XP-500-04.500-750B	4-1/2	5-1/2	3/4	4.500	4.502	5.500	5.498	0.750	0.825
XP-500-04.750-690B	4-3/4	5-3/4	11/16	4.750	4.752	5.750	5.748	0.690	0.759
XP-500-04.750-750B	4-3/4	5-3/4	3/4	4.750	4.752	5.750	5.748	0.750	0.825
XP-500-05.000-500B	5	6	1/2	5.000	5.002	6.000	5.998	0.500	0.550
XP-500-05.000-625B	5	6	5/8	5.000	5.002	6.000	5.998	0.625	0.688
XP-500-05.000-750B	5	6	3/4	5.000	5.002	6.000	5.998	0.750	0.825
XP-500-05.250-500B	5-1/4	6-1/4	1/2	5.250	5.252	6.250	6.248	5.000	0.550
XP-500-05.250-750B	5-1/4	6-1/4	3/4	5.250	5.252	6.250	6.248	0.750	0.825
XP-500-05.375-750B	5-3/8	6-3/8	3/4	5.375	5.377	6.375	6.373	0.750	0.825
XP-500-05.500-625B	5-1/2	6-1/2	5/8	5.500	5.502	6.500	6.498	0.625	0.688
XP-500-05.500-750B	5-1/2	6-1/2	3/4	5.500	5.502	6.500	6.498	0.750	0.825
XP-500-05.750-750B	5-3/4	6-3/4	3/4	5.750	5.752	6.750	6.748	0.750	0.825
XP-500-05.875-750B	5-7/8	6-7/8	3/4	5.875	5.877	6.875	6.873	0.750	0.825
XP-500-06.000-500B	6	7	1/2	6.000	6.002	7.000	6.998	0.500	0.550
XP-500-06.000-750B	6	7	3/4	6.000	6.002	7.000	6.998	0.750	0.825
XP-500-06.250-750B	6-1/4	7-1/4	3/4	6.250	6.252	7.250	7.248	0.750	0.825
XP-500-06.500-750B	6-1/2	7-1/2	3/4	6.500	6.502	7.500	7.498	0.750	0.825
XP-500-06.750-750B	6-3/4	7-3/4	3/4	6.750	6.752	7.750	7.748	0.750	0.825
XP-500-07.000-750B	7	8	3/4	7.000	7.002	8.000	7.998	0.750	0.825
XP-500-07.250-750B	7-1/4	8-1/4	3/4	7.250	7.252	8.250	8.248	0.750	0.825
XP-500-07.500-750B	7-1/2	8-1/2	3/4	7.500	7.502	8.500	8.498	0.750	0.825
XP-500-07.750-750B	7-3/4	8-3/4	3/4	7.750	7.752	8.750	8.748	0.750	0.825
XP-500-08.000-500B	8	9	1/2	8.000	8.002	9.000	8.998	0.500	0.550
XP-500-08.000-625B	8	9	5/8	8.000	8.002	9.000	8.998	0.625	0.688
XP-500-08.000-750B	8	9	3/4	8.000	8.002	9.000	8.998	0.750	0.825
XP-500-08.500-750B	8-1/2	9-1/2	3/4	8.500	8.502	9.500	9.498	0.750	0.825
XP-500-09.000-687B	9	10	11/16	9.000	9.002	10.000	9.998	0.687	0.756
XP-500-09.000-690B	9	10	0.690	9.000	9.002	10.000	9.998	0.690	0.759
XP-500-09.000-750B	9	10	3/4	9.000	9.002	10.000	9.998	0.750	0.825
XP-500-09.250-750B	9-1/4	10-1/4	3/4	9.250	9.252	10.250	10.248	0.750	0.825
XP-500-09.500-750B	9-1/2	10-1/2	3/4	9.500	9.502	10.500	10.498	0.750	0.825



XP - X-PAC® B-LIP



MFP PART NUMBER	NOMINAL SIZE			ACTUAL SIZE - ROD OR PISTON APPLICATION					
	ød1	ød2	ØD1	ød1	ød2	ØD1	ØD2	L2	L1
.500" - C/S				h9	H9	H9	h9		+0.010/-0.000
XP-500-09.750-750B	9-3/4	10-3/4	3/4	9.750	9.752	10.750	10.748	0.750	0.825
XP-500-10.000-750B	10	11	3/4	10.000	10.002	11.000	10.998	0.750	0.825
XP-500-10.500-1000B	10-1/2	11-1/2	1	10.500	10.502	11.500	11.498	1.000	1.100
XP-500-10.500-750B	10-1/2	11-1/2	3/4	10.500	10.502	11.500	11.498	0.750	0.825
XP-500-10.625-750B	10-5/8	11-5/8	3/4	10.625	10.627	11.625	11.623	0.750	0.825
XP-500-10.750-750B	10-3/4	11-3/4	3/4	10.750	10.752	11.750	11.748	0.750	0.825
XP-500-11.000-750B	11	12	3/4	11.000	11.002	12.000	11.998	0.750	0.825
XP-500-11.750-750B	11-3/4	12-3/4	3/4	11.750	11.752	12.750	12.748	0.750	0.825
XP-500-11.875-750B	11-7/8	12-7/8	3/4	11.875	11.877	12.875	12.873	0.750	0.825
XP-500-12.000-690B	12	13	0.690	12.000	12.002	13.000	12.998	0.690	0.759
XP-500-12.000-750B	12	13	3/4	12.000	12.002	13.000	12.998	0.750	0.825
XP-500-12.500-750B	12-1/2	13-1/2	3/4	12.500	12.502	13.500	13.498	0.750	0.825
XP-500-12.750-750B	12-3/4	13-3/4	3/4	12.750	12.752	13.750	13.748	0.750	0.825
XP-500-13.000-750B	13	14	3/4	13.000	13.002	14.000	13.998	0.750	0.825
XP-500-13.500-750B	13-1/2	14-1/2	3/4	13.500	13.502	14.500	14.498	0.750	0.825
XP-500-14.000-750B	14	15	3/4	14.000	14.002	15.000	14.998	0.750	0.825
XP-500-15.000-750B	15	16	3/4	15.000	15.002	16.000	15.998	0.750	0.825
XP-500-15.750-750B	15-3/4	16-3/4	3/4	15.750	15.752	16.750	16.748	0.750	0.825
XP-500-16.000-750B	16	17	3/4	16.000	16.002	17.000	16.998	0.750	0.825
XP-500-16.500-750B	16-1/2	17-1/2	3/4	16.500	16.502	17.500	17.498	0.750	0.825
XP-500-17.000-750B	17	18	3/4	17.000	17.002	18.000	17.998	0.750	0.825
XP-500-17.500-750B	17-1/2	18-1/2	3/4	17.500	17.502	18.500	18.498	0.750	0.825
XP-500-18.000-750B	18	19	3/4	18.000	18.002	19.000	18.998	0.750	0.825
XP-500-19.000-750B	19	20	3/4	19.000	19.002	20.000	19.998	0.750	0.825
XP-500-20.000-750B	20	21	3/4	20.000	20.002	21.000	20.998	0.750	0.825
XP-500-21.000-750B	21	22	3/4	21.000	21.002	22.000	21.998	0.750	0.825
XP-500-23.000-750B	23	24	3/4	23.000	23.002	24.000	23.998	0.750	0.825
XP-500-24.500-750B	24-1/2	25-1/2	3/4	24.500	24.502	25.500	25.498	0.750	0.825
XP-500-25.500-750B	25-1/2	26-1/2	3/4	25.500	25.502	26.500	26.498	0.750	0.825
XP-500-30.250-750B	30-1/4	31-1/4	3/4	30.250	30.252	31.250	31.248	0.750	0.825
.562" - C/S				h9	H9	H9	h9		+0.010/-0.000
XP-562-03.000-625B	3	4-1/8	5/8	3.000	3.002	4.125	4.123	0.625	0.688
XP-562-03.250-1000B	3-1/4	4-3/8	1	3.250	3.252	4.375	4.373	1.000	1.100
XP-562-04.000-750B	4	5-1/8	3/4	4.000	4.002	5.125	5.123	0.750	0.825

U-CUP SYMMETRICAL



X-PAC® Loaded B-Lip - Symmetrical U-Cup

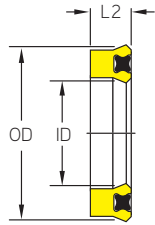
A product of MFP Seals.

MFPSEALS®

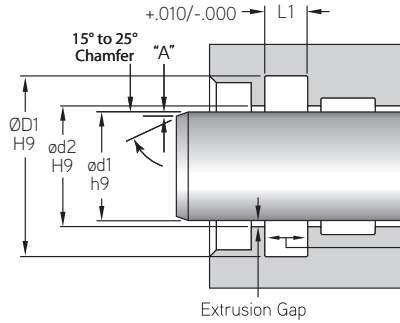
www.mfpseals.com

XP - X-PAC® B-LIP

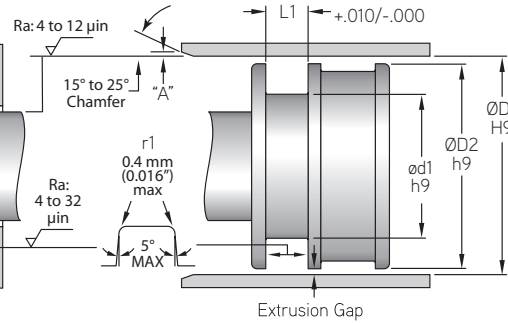
PROFILE



ROD APPLICATION



PISTON APPLICATION

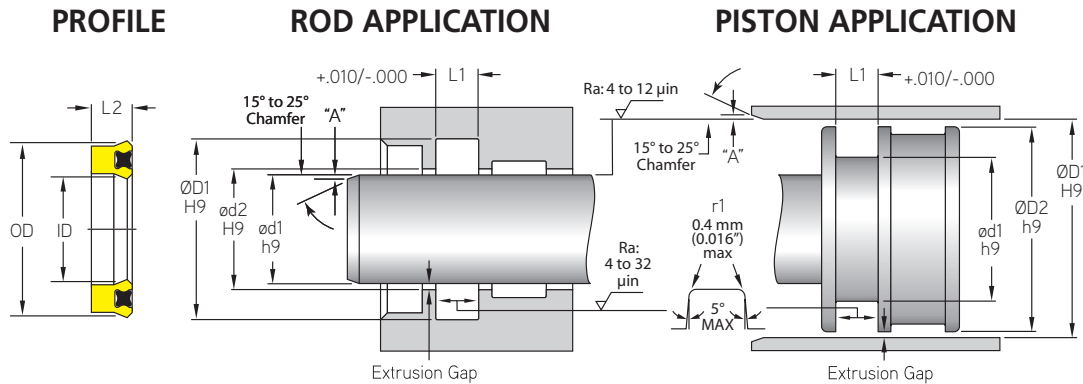


U-CUP SYMMETRICAL

MFP PART NUMBER	NOMINAL SIZE			ACTUAL SIZE - ROD OR PISTON APPLICATION					
	ød1	ød2	ØD1	ød1	ød2	ØD1	ØD2	L2	L1
.625" - C/S				h9	H9	H9	h9		+0.010/-0.000
XP-625-01.625-1000B	1-5/8	2-7/8	1	1.625	1.627	2.875	2.873	1.000	1.100
XP-625-03.250-1000B	3-1/4	4-1/2	1	3.250	3.252	4.500	4.498	1.000	1.100
XP-625-03.250-750B	3-1/4	4-1/2	3/4	3.250	3.252	4.500	4.498	0.750	0.825
XP-625-03.750-1000B	3-3/4	5	1	3.750	3.752	5.000	4.998	1.000	1.100
XP-625-04.250-1000B	4-1/4	5-1/2	1	4.250	4.252	5.500	5.498	1.000	1.100
XP-625-04.250-750B	4-1/4	5-1/2	3/4	4.250	4.252	5.500	5.498	0.750	0.825
XP-625-05.250-1000B	5-1/4	6-1/2	1	5.250	5.252	6.500	6.498	1.000	1.100
XP-625-05.750-1000B	5-3/4	7	1	5.750	5.752	7.000	6.998	1.000	1.100
XP-625-06.000-625B	6	7-1/4	5/8	6.000	6.002	7.250	7.248	0.625	0.688
XP-625-06.250-1000B	6-1/4	7-1/2	1	6.250	6.252	7.500	7.498	1.000	1.100
XP-625-07.000-1000B	7	8-1/4	1	7.000	7.002	8.250	8.248	1.000	1.100
XP-625-07.500-1000B	7-1/2	8-3/4	1	7.500	7.502	8.750	8.748	1.000	1.100
XP-625-08.250-1000B	8-1/4	9-1/2	1	8.250	8.252	9.500	9.498	1.000	1.100
XP-625-08.500-1000B	8-1/2	9-3/4	1	8.500	8.502	9.750	9.748	1.000	1.100
XP-625-10.000-1000B	10	11-1/4	1	10.000	10.002	11.250	11.248	1.000	1.100
XP-625-10.500-625B	10-1/2	11-3/4	5/8	10.500	10.502	11.750	11.748	0.625	0.688
XP-625-11.000-1000B	11	12-1/4	1	11.000	11.002	12.250	12.248	1.000	1.100
XP-625-11.250-1000B	11-1/4	12-1/2	1	11.250	11.252	12.500	12.498	1.000	1.100
XP-625-11.500-1000B	11-1/2	12-3/4	1	11.500	11.502	12.750	12.748	1.000	1.100
XP-625-12.250-1000B	12-1/4	13-1/2	1	12.250	12.252	13.500	13.498	1.000	1.100
XP-625-13.000-1000B	13	14-1/4	1	13.000	13.002	14.250	14.248	1.000	1.100
XP-625-13.500-875B	13-1/2	14-3/4	7/8	13.500	13.502	14.750	14.748	0.875	0.963
XP-625-14.750-1000B	14-3/4	16	1	14.750	14.752	16.000	15.998	1.000	1.100
XP-625-15.500-1000B	15-1/2	16-3/4	1	15.500	15.502	16.750	16.748	1.000	1.100
XP-625-18.000-1000B	18	19-1/4	1	18.000	18.002	19.250	19.248	1.000	1.100
XP-625-18.750-1000B	18-3/4	20	1	18.750	18.752	20.000	19.998	1.000	1.100
XP-625-30.750-1000B	30-3/4	32	1	30.750	30.752	32.000	31.998	1.000	1.100
.687" - C/S				h9	H9	H9	h9		+0.010/-0.000
XP-687-24.375-687B	24-3/8	25-3/4	11/16	24.375	24.377	25.750	25.748	0.687	0.756
.750" - C/S				h9	H9	H9	h9		+0.010/-0.000
XP-750-03.500-750B	3-1/2	5	3/4	3.500	3.502	5.000	4.998	0.750	0.825
XP-750-08.000-1250B	8	9-1/2	1-1/4	8.000	8.002	9.500	9.498	1.250	1.375
XP-750-08.500-1125B	8-1/2	10	1-1/8	8.500	8.502	10.000	9.998	1.125	1.238
XP-750-09.000-1250B	9	10-1/2	1-1/4	9.000	9.002	10.500	10.498	1.250	1.375



XP - X-PAC® B-LIP



MFP PART NUMBER	NOMINAL SIZE			ACTUAL SIZE - ROD OR PISTON APPLICATION					
	ød1	ød2	ØD1	ød1	ød2	ØD1	ØD2	L2	L1
.750" - C/S				h9	H9	H9	h9		+0.010/-0.000
XP-750-09.000-1500B	9	10-1/2	1-1/2	9.000	9.002	10.500	10.498	1.500	1.650
XP-750-10.000-1250B	10	11-1/2	1-1/4	10.000	10.002	11.500	11.498	1.250	1.375
XP-750-10.500-1000B	10-1/2	12	1	10.500	10.502	12.000	11.998	1.000	1.100
XP-750-10.500-1250B	10-1/2	12	1-1/4	10.500	10.502	12.000	11.998	1.250	1.375
XP-750-12.000-1250B	12	13-1/2	1-1/4	12.000	12.002	13.500	13.498	1.250	1.375
XP-750-14.000-1250B	14	15-1/2	1-1/4	14.000	14.002	15.500	15.498	1.250	1.375
XP-750-14.250-1250B	14-1/4	15-3/4	1-1/4	14.250	14.252	15.750	15.748	1.250	1.375
XP-750-14.500-1125B	14-1/2	16	1-1/8	14.500	14.502	16.000	15.998	1.125	1.238
XP-750-16.000-1250B	16	17-1/2	1-1/4	16.000	16.002	17.500	17.498	1.125	1.375
XP-750-17.000-1250B	17	18-1/2	1-1/4	17.000	17.002	18.500	18.498	1.250	1.375
XP-750-18.000-1250B	18	19-1/2	1-1/4	18.000	18.002	19.500	19.498	1.250	1.375
XP-750-18.500-1250B	18-1/2	20	1-1/4	18.500	18.502	20.000	19.998	1.250	1.375
XP-750-20.000-1250B	20	21-1/2	1-1/4	20.000	20.002	21.500	21.498	1.250	1.375

U-CUP SYMMETRICAL