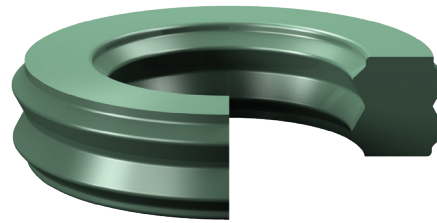


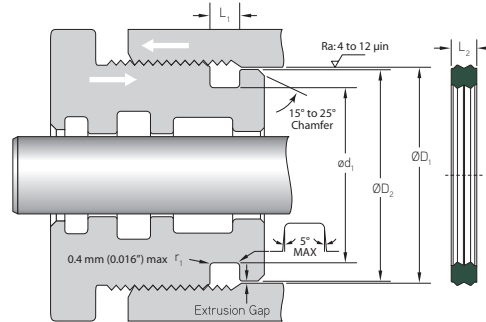


GS - GLAND SEAL

MFP Seals' GS Seal is a modern day, heavy-duty gland seal, used for enhanced performance, in place of an O-Ring or O-Ring and Back-Up Ring combination, used to seal threaded glands in Mobile Hydraulic cylinders. The GS provides a high dynamic, pressure energized sealing effect, with 4 sealing contact points that increase in radial force as pressures increase. The GS is primarily designed for heavy-duty, static sealing applications. Its unique design resists the extrusion and pressure damage that normally occurs with O-Ring gland seals. Typically made from our U2150 Ultraflex® Urethane, it is easy to install the GS seal over threaded glands without damage to the seal and provides excellent rebound resilience, hydrolysis and abrasion resistance.



The standard compound for this seal is U2150.
It is also available in U2151 and U4150.



Max Pressure: 690 bar (10,000 psi)

MFP PART NUMBER

GS-131-1U2150

SEAL TYPE DASH # # BU-RINGS COMPOUND

GS - GLAND SEAL - FITS STANDARD AS568 O-RING GROOVE

MFP PART NUMBER	ØD1	ØD2	ød1	L1
TOLERANCE	H9	-.000 / -.001	h9	+.005 / -.000
GS-224	2.000	1.997	1.778	0.180
GS-226	2.250	2.247	2.028	0.180
GS-228	2.500	2.497	2.278	0.180

GS - GLAND SEAL - FITS O-RING GROOVE DESIGNED FOR ONE BACK-UP RING

MFP PART NUMBER	ØD1	ØD2	ød1	L1
TOLERANCE	H9	-.000 / -.001	h9	+.005 / -.000
GS-033-1	2.125	2.122	2.027	0.145
GS-131-1	1.875	1.872	1.713	0.182
GS-133-1	2.000	1.997	1.838	0.182
GS-140-1	2.437	2.434	2.275	0.182
GS-144-1	2.687	2.684	2.525	0.182
GS-152-1	3.437	3.434	3.275	0.182
GS-154-1	3.937	3.934	3.775	0.182
GS-216-1	1.375	1.372	1.153	0.217
GS-224-1	2.000	1.997	1.778	0.217
GS-226-1	2.250	2.247	2.028	0.217
GS-228-1	2.500	2.497	2.278	0.217
GS-230-1	2.750	2.747	2.528	0.217
GS-232-1	3.000	2.997	2.778	0.217
GS-234-1	3.250	3.247	3.028	0.217
GS-235-1	3.375	3.372	3.153	0.217
GS-236-1	3.500	3.497	3.278	0.217
GS-236-2	3.500	3.497	3.278	0.296
GS-237-1	3.625	3.622	3.403	0.217
GS-238-1	3.750	3.747	3.528	0.217

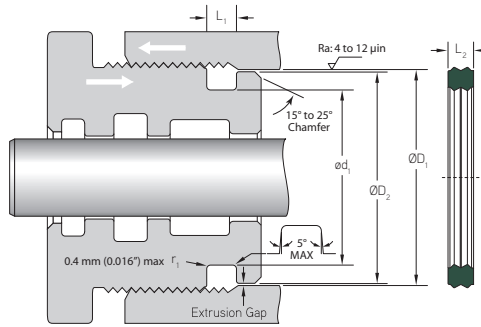


GS - Gland Seal

A product of MFP Seals.

MFPSEALS[®]

www.mfpseals.com



GS - GLAND SEAL - FITS O-RING GROOVE DESIGNED FOR ONE BACK-UP RING

MFP PART NUMBER	ØD1	ØD2	Ød1	L1
TOLERANCE	H9	-.000 / -.001	h9	+.005 / -.000
GS-239-1	3.875	3.872	3.653	0.217
GS-240-1	4.000	3.997	3.778	0.217
GS-242-1	4.250	4.247	4.028	0.217
GS-244-1	4.500	4.497	4.278	0.217
GS-246-1	4.750	4.747	4.528	0.217
GS-248-1	5.000	4.997	4.778	0.217
GS-250-1	5.250	5.247	5.028	0.217
GS-252-1	5.500	5.497	5.278	0.217
GS-256-1	6.000	5.997	5.778	0.217
GS-330-1	2.500	2.497	2.160	0.333
GS-334-1	3.000	2.997	2.660	0.333
GS-338-1	3.500	3.497	3.160	0.333
GS-342-1	4.000	3.997	3.660	0.333
GS-346-1	4.500	4.497	4.160	0.333
GS-350-1	5.000	4.997	4.660	0.333
GS-358-1	6.000	5.997	5.660	0.333

GS - GLAND SEAL - FITS O-RING GROOVE DESIGNED FOR TWO BACK-UP RINGS

MFP PART NUMBER	ØD1	ØD2	Ød1	L1
TOLERANCE	H9	-.000 / -.001	h9	+.005 / -.000
GS-218-2	1.500	1.497	1.278	0.296
GS-224-2	2.000	1.997	1.778	0.296
GS-228-2	2.500	2.497	2.278	0.296

O-RINGS