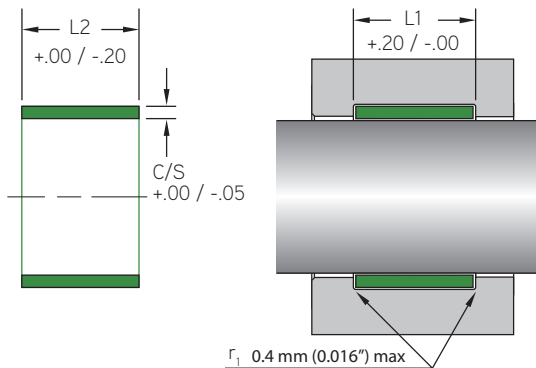


**MTWS - TIGHT TOLERANCE
T5100 PTFE WEAR STRIP**

MFP Seals' proprietary Tight Tolerance T5100 PTFE Wear Strip is designed to eliminate scoring in hydraulic and pneumatic applications by preventing metal to metal contact. Sold by the roll, our T5100 compound wear strip provides excellent light-duty, low friction performance.



See page 6 for guide ring cutting instructions.



MFP PART NUMBER

MTWS3.0x05.4T5100-RL

SEAL TYPE	C/S	L2	COMPOUND	ROLL

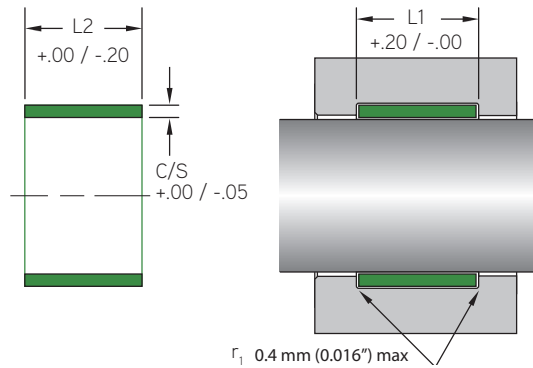
MFP PART NUMBER	ROD OR PISTON APPLICATION			
	C/S	L1	L2	ROLL LENGTH
TOLERANCE	+.00/-05	+.20/-00	+.00/-20	
MTWS-1.5X03.0T5100-RL	1.5	3.2	3	115 FT
MTWS-1.5X03.8T5100-RL	1.5	4	3.8	115 FT
MTWS-1.5X05.4T5100-RL	1.5	5.6	5.4	115 FT
MTWS-1.5X05.6T5100-RL	1.5	5.8	5.6	115 FT
MTWS-1.5X06.0T5100-RL	1.5	6.2	6	115 FT
MTWS-1.5X06.1T5100-RL	1.5	6.3	6.1	115 FT
MTWS-1.5X07.9T5100-RL	1.5	8.1	7.9	115 FT
MTWS-1.5X08.0T5100-RL	1.5	8.2	8	115 FT
MTWS-1.5X09.5T5100-RL	1.5	9.7	9.5	115 FT
MTWS-1.5X09.7T5100-RL	1.5	9.9	9.7	115 FT
MTWS-1.5X10.0T5100-RL	1.5	10.2	10	115 FT
MTWS-1.5X11.8T5100-RL	1.5	12	11.8	115 FT
MTWS-1.5X12.8T5100-RL	1.5	13	12.8	115 FT
MTWS-1.5X13.0T5100-RL	1.5	13.2	13	115 FT
MTWS-1.5X13.8T5100-RL	1.5	14	13.8	115 FT
MTWS-1.5X14.0T5100-RL	1.5	14.2	14	115 FT
MTWS-1.5X14.8T5100-RL	1.5	15	14.8	115 FT
MTWS-1.5X15.0T5100-RL	1.5	15.2	15	115 FT
MTWS-1.5X19.8T5100-RL	1.5	20	19.8	115 FT
MTWS-1.5X20.0T5100-RL	1.5	20.2	20	115 FT
MTWS-1.5X24.8T5100-RL	1.5	25	24.8	115 FT
MTWS-1.5X25.0T5100-RL	1.5	25.2	25	115 FT
MTWS-1.5X34.8T5100-RL	1.5	35	34.8	115 FT
MTWS-1.5X49.8T5100-RL	1.5	50	49.8	115 FT
MTWS-2.0X03.8T5100-RL	2	4	3.8	82 FT
MTWS-2.0X05.4T5100-RL	2	5.6	5.4	82 FT

MTWS - Metric PTFE Wear Strip - T5100

A product of MFP Seals.

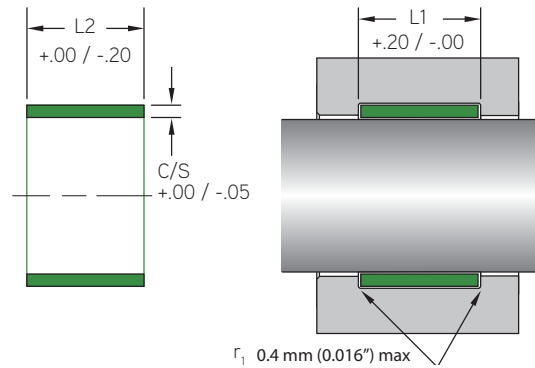
MFPSEALS
www.mfpseals.com

MTWS T5100



MFP PART NUMBER	ROD OR PISTON APPLICATION			ROLL LENGTH
	C/S	L1	L2	
TOLERANCE	+.00/-.05	+.20/-.00	+.00/-.20	
MTWS-2.0X05.6T5100-RL	2	5.8	5.6	82 FT
MTWS-2.0X06.0T5100-RL	2	6.2	6	82 FT
MTWS-2.0X06.1T5100-RL	2	6.3	6.1	82 FT
MTWS-2.0X07.9T5100-RL	2	8.1	7.9	82 FT
MTWS-2.0X08.0T5100-RL	2	8.2	8	82 FT
MTWS-2.0X09.5T5100-RL	2	9.7	9.5	82 FT
MTWS-2.0X09.7T5100-RL	2	9.9	9.7	82 FT
MTWS-2.0X10.0T5100-RL	2	10.2	10	82 FT
MTWS-2.0X11.8T5100-RL	2	12	11.8	82 FT
MTWS-2.0X12.8T5100-RL	2	13	12.8	82 FT
MTWS-2.0X13.0T5100-RL	2	13.2	13	82 FT
MTWS-2.0X13.8T5100-RL	2	14	13.8	82 FT
MTWS-2.0X14.0T5100-RL	2	14.2	14	82 FT
MTWS-2.0X14.8T5100-RL	2	15	14.8	82 FT
MTWS-2.0X15.0T5100-RL	2	15.2	15	82 FT
MTWS-2.0X19.8T5100-RL	2	20	19.8	82 FT
MTWS-2.0X20.0T5100-RL	2	20.2	20	82 FT
MTWS-2.0X24.8T5100-RL	2	25	24.8	82 FT
MTWS-2.0X25.0T5100-RL	2	25.2	25	82 FT
MTWS-2.0X34.8T5100-RL	2	35	34.8	82 FT
MTWS-2.0X49.8T5100-RL	2	50	49.8	82 FT
MTWS-2.5X03.8T5100-RL	2.5	4	3.8	66 FT
MTWS-2.5X05.4T5100-RL	2.5	5.6	5.4	66 FT
MTWS-2.5X05.6T5100-RL	2.5	5.8	5.6	66 FT
MTWS-2.5X06.0T5100-RL	2.5	6.2	6	66 FT
MTWS-2.5X06.1T5100-RL	2.5	6.3	6.1	66 FT
MTWS-2.5X07.9T5100-RL	2.5	8.1	7.9	66 FT
MTWS-2.5X08.0T5100-RL	2.5	8.2	8	66 FT
MTWS-2.5X09.5T5100-RL	2.5	9.7	9.5	66 FT
MTWS-2.5X09.7T5100-RL	2.5	9.9	9.7	66 FT
MTWS-2.5X10.0T5100-RL	2.5	10.2	10	66 FT
MTWS-2.5X11.8T5100-RL	2.5	12	11.8	66 FT
MTWS-2.5X12.8T5100-RL	2.5	13	12.8	66 FT
MTWS-2.5X13.0T5100-RL	2.5	13.2	13	66 FT
MTWS-2.5X13.8T5100-RL	2.5	14	13.8	66 FT
MTWS-2.5X14.0T5100-RL	2.5	14.2	14	66 FT
MTWS-2.5X14.8T5100-RL	2.5	15	14.8	66 FT
MTWS-2.5X15.0T5100-RL	2.5	15.2	15	66 FT

METRIC WEAR STRIP



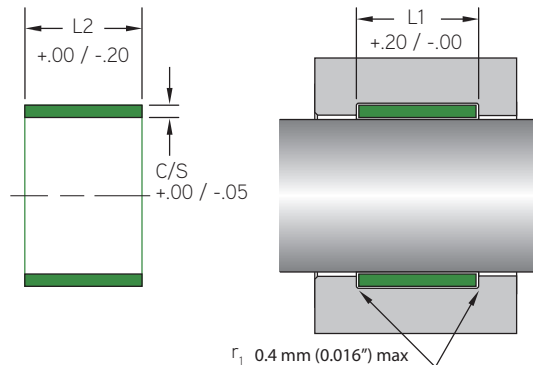
MFP PART NUMBER	ROD OR PISTON APPLICATION			ROLL LENGTH
	C/S	L1	L2	
TOLERANCE	+0.00/-0.05	+0.20/-0.00	+0.00/-0.20	
MTWS-2.5X19.8T5100-RL	2.5	20	19.8	66 FT
MTWS-2.5X20.0T5100-RL	2.5	20.2	20	66 FT
MTWS-2.5X24.8T5100-RL	2.5	25	24.8	66 FT
MTWS-2.5X25.0T5100-RL	2.5	25.2	25	66 FT
MTWS-2.5X34.8T5100-RL	2.5	35	34.8	66 FT
MTWS-2.5X49.8T5100-RL	2.5	50	49.8	66 FT
MTWS3.0X05.4T5100-RL	3	5.6	5.4	53 FT
MTWS3.0X05.6T5100-RL	3	5.8	5.6	53 FT
MTWS3.0X06.0T5100-RL	3	6.2	6	53 FT
MTWS3.0X06.1T5100-RL	3	6.3	6.1	53 FT
MTWS3.0X07.9T5100-RL	3	8.1	7.9	53 FT
MTWS3.0X08.0T5100-RL	3	8.2	8	53 FT
MTWS3.0X09.5T5100-RL	3	9.7	9.5	53 FT
MTWS3.0X09.7T5100-RL	3	9.9	9.7	53 FT
MTWS3.0X10.0T5100-RL	3	10.2	10	53 FT
MTWS3.0X11.8T5100-RL	3	12	11.8	53 FT
MTWS3.0X12.8T5100-RL	3	13	12.8	53 FT
MTWS3.0X13.0T5100-RL	3	13.2	13	53 FT
MTWS3.0X13.8T5100-RL	3	14	13.8	53 FT
MTWS3.0X14.0T5100-RL	3	14.2	14	53 FT
MTWS3.0X14.8T5100-RL	3	15	14.8	53 FT
MTWS3.0X15.0T5100-RL	3	15.2	15	53 FT
MTWS3.0X19.8T5100-RL	3	20	19.8	53 FT
MTWS3.0X20.0T5100-RL	3	20.2	20	53 FT
MTWS3.0X24.8T5100-RL	3	25	24.8	53 FT
MTWS3.0X25.0T5100-RL	3	25.2	25	53 FT
MTWS3.0X34.8T5100-RL	3	35	34.8	53 FT
MTWS3.0X49.8T5100-RL	3	50	49.8	53 FT
MTWS-3.5X05.4T5100-RL	3.5	5.6	5.4	92 FT
MTWS-3.5X05.6T5100-RL	3.5	5.8	5.6	92 FT
MTWS-3.5X06.0T5100-RL	3.5	6.2	6	92 FT
MTWS-3.5X06.1T5100-RL	3.5	6.3	6.1	92 FT
MTWS-3.5X07.9T5100-RL	3.5	8.1	7.9	92 FT
MTWS-3.5X08.0T5100-RL	3.5	8.2	8	92 FT
MTWS-3.5X09.5T5100-RL	3.5	9.7	9.5	92 FT
MTWS-3.5X09.7T5100-RL	3.5	9.9	9.7	92 FT
MTWS-3.5X10.0T5100-RL	3.5	10.2	10	92 FT
MTWS-3.5X11.8T5100-RL	3.5	12	11.8	92 FT

MTWS - Metric PTFE Wear Strip - T5100

A product of MFP Seals.

MFPSEALS
www.mfpseals.com

MTWS T5100



METRIC WEAR STRIP

MFP PART NUMBER	ROD OR PISTON APPLICATION			ROLL LENGTH
	C/S	L1	L2	
TOLERANCE	+.00/-.05	+.20/-.00	+.00/-.20	
MTWS-3.5X12.8T5100-RL	3.5	13	12.8	92 FT
MTWS-3.5X13.0T5100-RL	3.5	13.2	13	92 FT
MTWS-3.5X13.8T5100-RL	3.5	14	13.8	92 FT
MTWS-3.5X14.0T5100-RL	3.5	14.2	14	92 FT
MTWS-3.5X14.8T5100-RL	3.5	15	14.8	92 FT
MTWS-3.5X15.0T5100-RL	3.5	15.2	15	92 FT
MTWS-3.5X19.8T5100-RL	3.5	20	19.8	92 FT
MTWS-3.5X20.0T5100-RL	3.5	20.2	20	92 FT
MTWS-3.5X24.8T5100-RL	3.5	25	24.8	92 FT
MTWS-3.5X25.0T5100-RL	3.5	25.2	25	92 FT
MTWS-3.5X34.8T5100-RL	3.5	35	34.8	92 FT
MTWS-3.5X49.8T5100-RL	3.5	50	49.8	92 FT
MTWS-4.0X05.4T5100-RL	4	5.6	5.4	79 FT
MTWS-4.0X05.6T5100-RL	4	5.8	5.6	79 FT
MTWS-4.0X06.0T5100-RL	4	6.2	6	79 FT
MTWS-4.0X06.1T5100-RL	4	6.3	6.1	79 FT
MTWS-4.0X07.9T5100-RL	4	8.1	7.9	79 FT
MTWS-4.0X08.0T5100-RL	4	8.2	8	79 FT
MTWS-4.0X09.5T5100-RL	4	9.7	9.5	79 FT
MTWS-4.0X09.7T5100-RL	4	9.9	9.7	79 FT
MTWS-4.0X10.0T5100-RL	4	10.2	10	79 FT
MTWS-4.0X11.8T5100-RL	4	12	11.8	79 FT
MTWS-4.0X12.8T5100-RL	4	13	12.8	79 FT
MTWS-4.0X13.0T5100-RL	4	13.2	13	79 FT
MTWS-4.0X13.8T5100-RL	4	14	13.8	79 FT
MTWS-4.0X14.0T5100-RL	4	14.2	14	79 FT
MTWS-4.0X14.8T5100-RL	4	15	14.8	79 FT
MTWS-4.0X15.0T5100-RL	4	15.2	15	79 FT
MTWS-4.0X19.8T5100-RL	4	20	19.8	79 FT
MTWS-4.0X20.0T5100-RL	4	20.2	20	79 FT
MTWS-4.0X24.8T5100-RL	4	25	24.8	79 FT
MTWS-4.0X25.0T5100-RL	4	25.2	25	79 FT
MTWS-4.0X34.8T5100-RL	4	35	34.8	79 FT
MTWS-4.0X49.8T5100-RL	4	50	49.8	79 FT